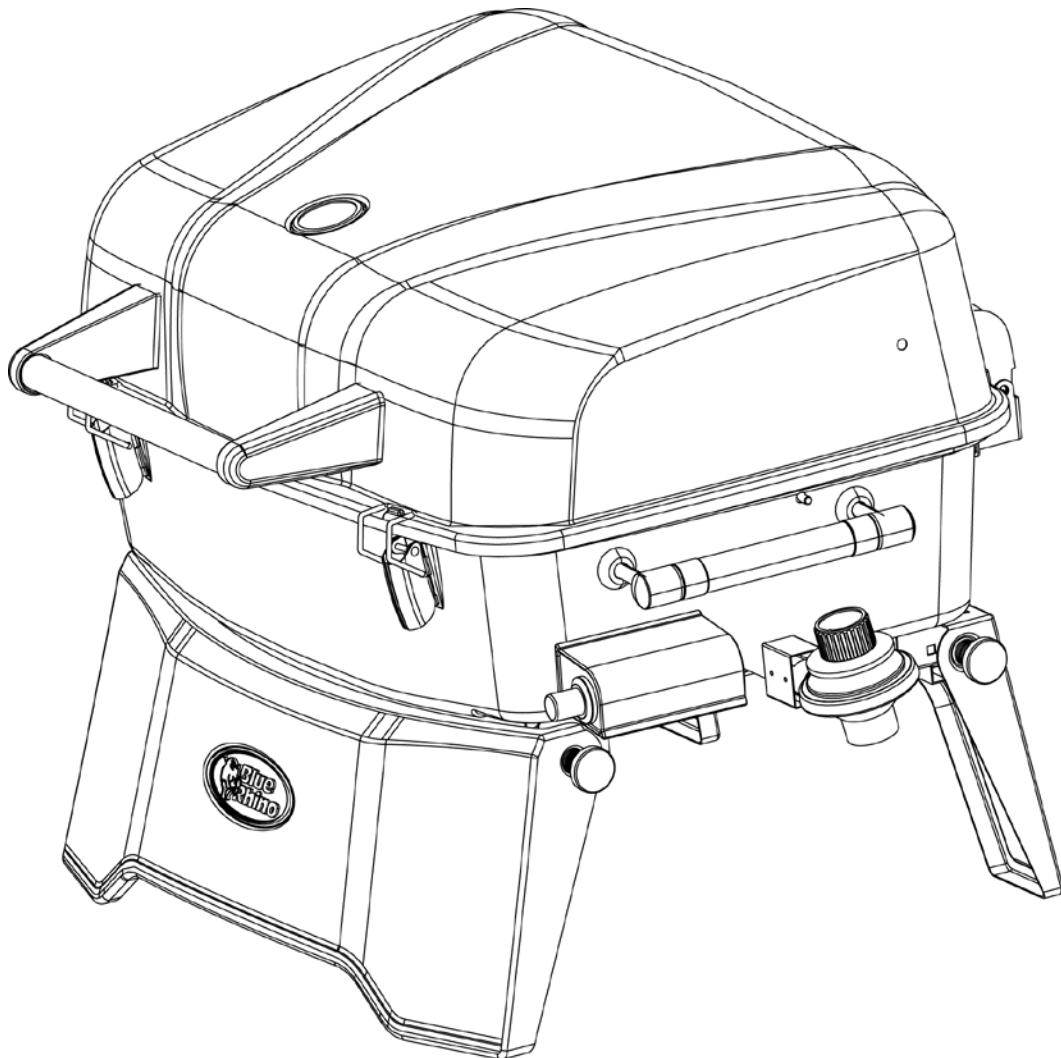




OWNER'S MANUAL

Outdoor LP Gas Barbecue Grill

Model No. GBT9080L



 **WARNING**
FOR YOUR SAFETY:
For Outdoor Use Only
 (outside any enclosure)

 **WARNING**
FOR YOUR SAFETY:

- 1. Improper installation, adjustment, alteration, service or maintenance can cause injury or property damage.**
- 2. Read the installation, operation, and maintenance instructions thoroughly before installing or servicing this equipment.**
- 3. Failure to follow these instructions could result in fire or explosion, which could cause property damage, personal injury, or death.**

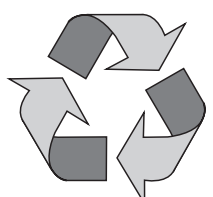
Save these instructions for future reference. If you are assembling this unit for someone else, give this manual to him or her to read and save for future reference.

Table of Contents

Important Safeguards	Page 2
Exploded View & Hardware	3
Assembly Instructions	4
Operating Instructions	7
Checking for Leaks	7
First Use	7
Lighting	7
Turning Off	8
Cooking	8
Tips	8
Cleaning and Care	8
Product Registration	8
Limited Warranty	8
Troubleshooting	9

The use and installation must conform with local codes or, in the absence of local codes, with either the *National Fuel Gas Code, ANSI Z223.1/NFPA 54, Natural Gas and Propane Installation Code, CSA B149.1, or Propane Storage and Handling Code, B149.2, or the Standard for Recreational Vehicles, ANSI A 119.2/NFPA 1192, and CSA Z240 RV Series, Recreational Vehicle Code*, as applicable.

California Proposition 65: Chemicals known to the State of California to cause cancer, birth defects, or other reproductive harm are created by the combustion of propane.



Made from 70% Bagasse
 (Environmentally Friendly Sugar
 Cane Pulp By-product)



Manufactured in China for:
 Blue Rhino Global Sourcing, Inc.
 Winston-Salem, NC USA
 1.800.762.1142, www.bluerhino.com

© 2008 Blue Rhino Global Sourcing, Inc. All Rights Reserved
 Blue Rhino® is a Registered Trademark of Ferrellgas, L.P.. All Rights Reserved.



DANGER



If you smell gas -

1. Shut off gas to appliance.
2. Extinguish any open flame.
3. Open lid.
4. If odor continues, keep away from the appliance and immediately call your gas supplier or your fire department.

WARNING

FOR YOUR SAFETY



1. Do not store or use gasoline or other flammable liquids or vapors in the vicinity of this or any other appliance.
2. An LP cylinder not connected for use shall not be stored in the vicinity of this or any other appliance.

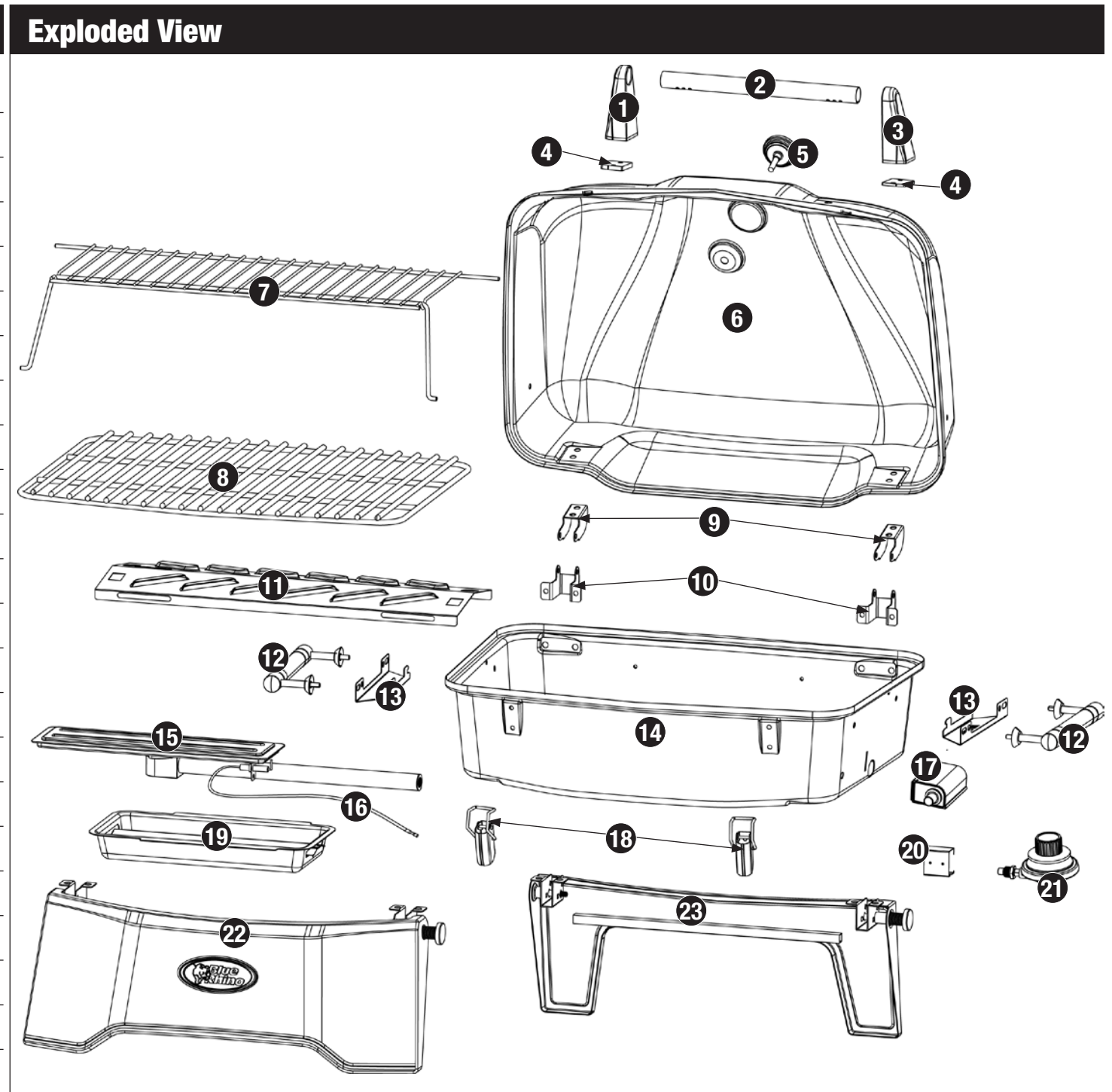
▲ DANGER: Failure to follow the dangers, warning and cautions in this manual may result in serious bodily injury or death, or in a fire or an explosion causing damage to property.

▲ WARNING:

- ▲ This grill is for outdoor use only, and shall not be used in a building, garage, or any other enclosed area.
- ▲ This grill is NOT for commercial use.
- ▲ This is not a tabletop grill. Therefore, do not operate this grill on any type of tabletop surface
- ▲ This grill is for use with liquid propane (LP) gas only. The conversion to or attempted use of natural gas in this LP gas grill is dangerous and will void your warranty.
- ▲ LP gas Characteristics:
 - a. LP gas is flammable and hazardous if handled improperly. Become aware of the characteristics before using any LP gas product.
 - b. LP gas is explosive under pressure, heavier than air, and settles and pools in low areas.
 - c. LP gas in its natural state has no odor. For your safety, an odorant is added that smells like rotten cabbage.
 - d. Contact with LP gas can cause freeze burns to skin.
- ▲ LP gas tank needed to operate. Only tanks marked "propane" may be used.
- ▲ The LP gas supply tank must be constructed and marked in accordance with the *Specifications for LP gas Cylinders of the U.S. Department of Transportation (DOT) or the National Standard of Canada, CAN/CSA-B339, Cylinders, Spheres and Tubes for the Transportation of Dangerous Goods; and Commission.*
- ▲ LP gas tank must be arranged for vapor withdrawal.
- ▲ Dented or rusted LP gas tanks may be hazardous and should be checked by your LP gas supplier prior to use.
- ▲ The LP gas tank should not be dropped or handled roughly.
- ▲ LP gas tanks must be stored outdoors out of the reach of children and must not be stored in a building, garage, or any other enclosed area. Your tank must never be stored where temperatures can reach over 125°F.
- ▲ Never attempt to attach this grill to the self-contained LP gas system of a camper trailer, motor home, or house.
- ▲ Do not store a spare LP gas tank under or near this appliance.
- ▲ The use of alcohol or prescription or non-prescription drugs may impair the consumer's ability to properly assemble or safely operate the appliance.
- ▲ Never use charcoal, lighter fluid, lava rocks, gasoline, kerosene, or alcohol with this product.
- ▲ Your grill has been checked at all factory connections for leaks. Recheck all connections, as movement in shipping can loosen connections.
- ▲ Check for leaks even if your unit was assembled for you by someone else.
- ▲ Do not operate if gas leak is present. Gas leaks may cause a fire or explosion.
- ▲ You must follow all leak-checking procedures before operating. To prevent fire or explosion hazard when testing for a leak:
 - a. Always perform leak test before lighting the grill and each time the tank is connected for use.
 - b. Do not use or permit sources of ignition in the area while conducting a leak test. No smoking.
 - c. Conduct the leak test outdoors in a well-ventilated area.
 - d. Do not use matches, lighters, or a flame to check for leaks.
 - e. Do not use grill until any and all leaks are corrected.If you are unable to stop a leak, disconnect the LP gas supply. Call our customer care, gas appliance serviceman or your local LP gas supplier.
- ▲ Do not use in an explosive atmosphere. Keep grill area clear and free from combustible materials, gasoline and other flammable vapors and liquids.
- ▲ Keep all combustible items and surfaces at least 21 inches (53 cm) away from the grill at all times. DO NOT use this grill or any gas product under any overhead or near any unprotected combustible constructions.
- ▲ It is essential to keep the grill's valve compartment, burners, and circulating air passages clean. Inspect grill before each use.
- ▲ Do not alter grill in any manner. Any altering will void your warranty.
- ▲ Do not use the grill unless it is COMPLETELY assembled and all parts are securely fastened and tightened.
- ▲ This grill should be thoroughly cleaned and inspected on a regular basis.
- ▲ Use only the regulator provided. Any replacement regulator shall be specified by the manufacturer.
- ▲ Use only Blue Rhino Global Sourcing, Inc. factory authorized parts. The use of any part that is not factory authorized can be dangerous. This will also void your warranty.
- ▲ Do not use this appliance without reading "Operating Instructions" in this manual.
- ▲ Do not touch metal parts of grill until it has completely cooled (about 45 min.) to avoid burns, unless you are wearing protective gear (pot holders, gloves, BBQ mittens, etc.).
- ▲ Do not install or use in or on boats or recreational vehicles.
- ▲ When cooking, fire extinguishing materials shall be readily accessible. In the event of an oil grease fire, do not attempt to extinguish with water. Use type BC dry chemical fire extinguisher or smother with dirt, sand or baking soda.
- ▲ Do not use grill in high winds.
- ▲ Never lean over the grill when lighting.
- ▲ Do not leave a lit grill unattended. Keep children and pets away from grill at all times.
- ▲ Do not attempt to move grill when in use. Allow the grill to cool (approximately 45 minutes) before moving or storing.
- ▲ Storage of grill indoors is permissible only if the tank is disconnected, removed from the grill and properly stored outdoors.
- ▲ While wearing a protective glove or mit, open grill lid carefully and slowly as heat and steam trapped within grill can severely burn you.
- ▲ Do not attempt to disconnect the gas regulator from the tank or any gas fitting while the grill is in use.
- ▲ Disconnect cylinder when not in use.
- ▲ Always use your grill on a hard, non-combustible level surface. An asphalt or blacktop surface may not be acceptable for this purpose.
- ▲ Do not use directly on wooden decks.
- ▲ Keep all electrical cords away from a hot grill.
- ▲ Do not use grill for indoor cooking or heating. TOXIC fumes can accumulate and cause asphyxiation.
- ▲ After a period of storage and/or nonuse check for leaks and burner obstructions.
- ▲ Failure to open lid while igniting the grill's burner, or not waiting 5 minutes to allow the gas to clear if the grill does not light, may result in an explosive flame-up.
- ▲ If grill is not in use, the gas must be turned off at the supply tank.
- ▲ Never operate grill without heat plate installed.
- ▲ Always use a meat thermometer to ensure food is cooked to a safe temperature.
- ▲ Please use protective gloves when assembling this product.
- ▲ Do not force parts together as this can result in personal injury or damage to the product.
- ▲ Never cover entire cooking area with aluminum foil.
- ▲ Deaths, serious injury or damage to property may occur if the above is not followed exactly.

Contact 1.800.762.1142 for assistance. Do not return to place of purchase.

Parts List		
1	Left Lid Handle Support	55-09-099
2	Lid Handle Bar	55-09-473
3	Right Lid Handle Support	55-09-192
4	Lid Handle Washer (2)	55-09-478
5	Temperature Assembly	55-09-493
6	Lid	55-09-472
7	Warming Rack	55-15-256
8	Cooking Grid	55-09-480
9	Top Hinge (2)	55-09-475
10	Bottom Hinge (2)	55-15-329
11	Heat Plate	55-09-329
12	Side Handle (2)	55-14-983
13	Heat Plate Support (2)	55-09-330
14	Bottom Bowl	55-09-459
15	Burner	55-15-225
16	Igniter Wire	55-09-471
17	Igniter Assembly	55-09-492
18	Lock (2)	55-08-331
19	Grease Tray	55-15-230
20	Wind Cover	55-07-683
21	Regulator/Control Valve	55-15-248
22	Front Leg	55-09-476
23	Rear Leg	55-09-477



Hardware			
A	Screw	M4x12 Zinc Plated Phillips Truss Head	4 pcs
B	Screw	M5x12 Zinc Plated Phillips Truss Head	8 pcs
C	Screw	M6x8 Zinc Plated Phillips Truss Head	1 pcs
D	Screw	M6x12 Zinc Plated Phillips Truss Head	13 pcs
E	Wing Nut	M4 Steel	4 pcs
F	Wing Nut	M5 Steel	12 pcs
G	Washer	ø5.2 Zinc Plated	4 pcs
H	Washer	ø6.4 Zinc Plated	5 pcs
I	Washer	ø6.4 Heat Resistant	9 pcs
J	Lock Washer	ø6.4 Zinc Plated	1 pc
K	Pin	ø5 x 32 Zinc Plated	2 pcs
L	Cotter Pin	ø1.2 x 30 Steel	2 pcs

Tools Required for Assembly (Included)

#2 Phillips Head Screwdriver

Assembly Instructions

1 DO NOT RETURN PRODUCT TO STORE.

For assistance call **1.800.762.1142** toll free. Please have your owner's manual and serial number available for reference.

For Easiest Assembly:

- To avoid losing any small components or hardware, assemble your product on a hard level surface that does not have cracks or openings.
- Clear an area large enough to layout all components and hardware.
- When applicable, tighten all hardware connections by hand first. Once the step is completed go back and fully tighten all hardware.
- Follow all steps in order to properly assemble your product.

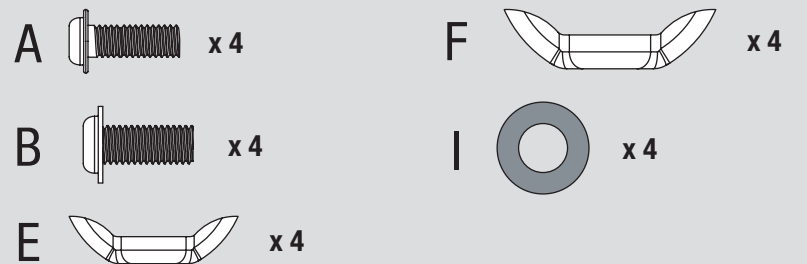
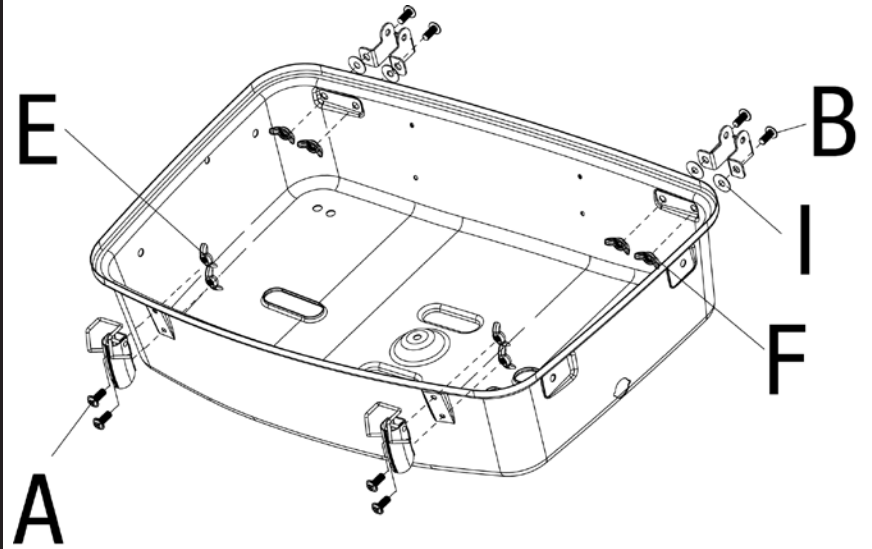
To complete assembly you will need:

- (1) Leak Detection Solution (Instructions on how to make solution are included in "Operating Instructions" section)
- (1) 14.1 oz or (1) 16.4 oz LP gas tank.

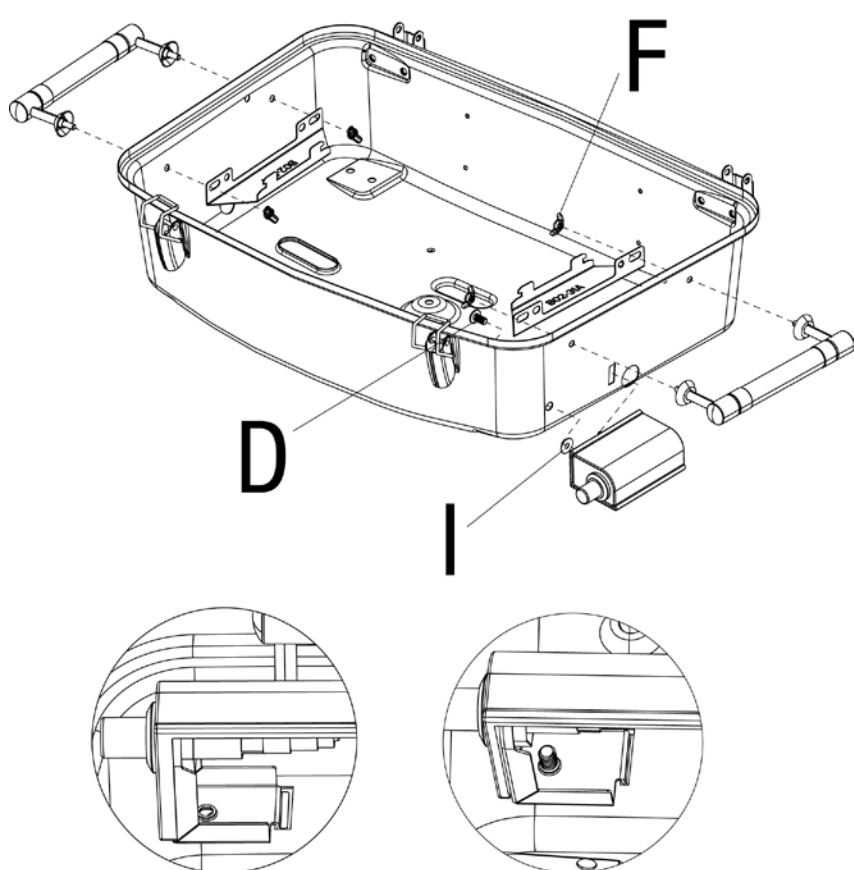
Note: You must follow all steps to properly assemble grill.

Typical assembly: approximately 30 minutes.

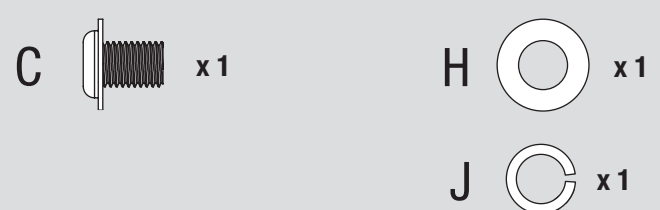
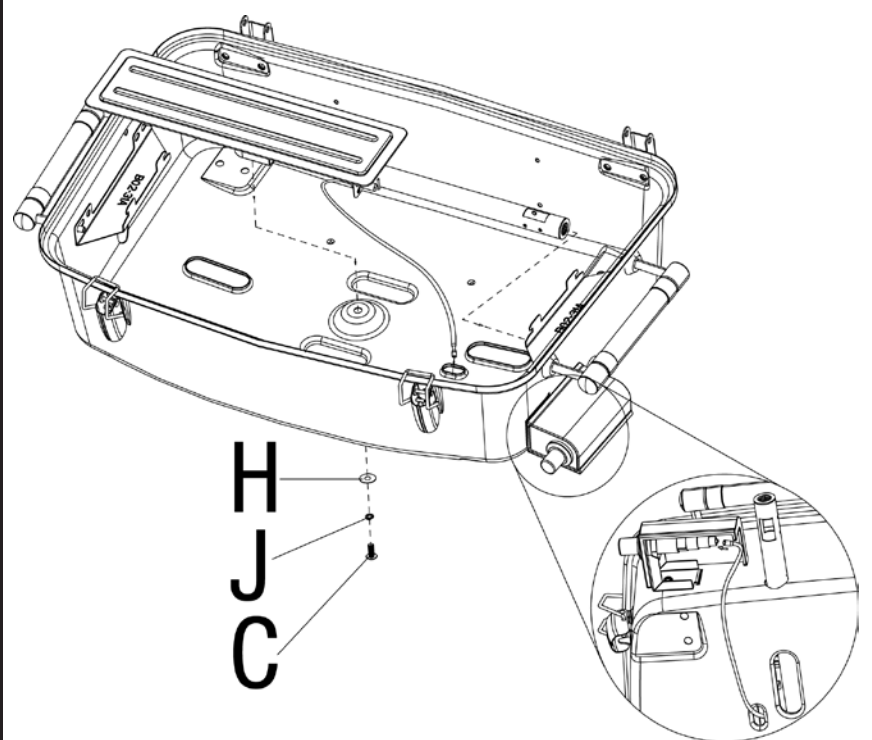
2 Attach Bottom Hinges and Locks



3 Attach Side Handles, Heat Plate Supports and Igniter Assembly

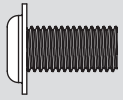


4 Attach Burner and Igniter Wire

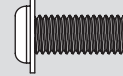

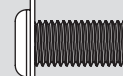

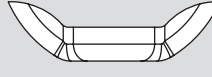



Contact 1.800.762.1142 for assistance. Do not return to place of purchase.


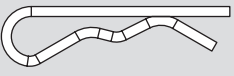
5 Attach Legs

D  x 8

6 Attach Lid Handle, Top Hinges and Temperature Gauge

B  x 4 **G**  x 4
D  x 4 **H**  x 4
F  x 4 **I**  x 4

7 Attach Lid

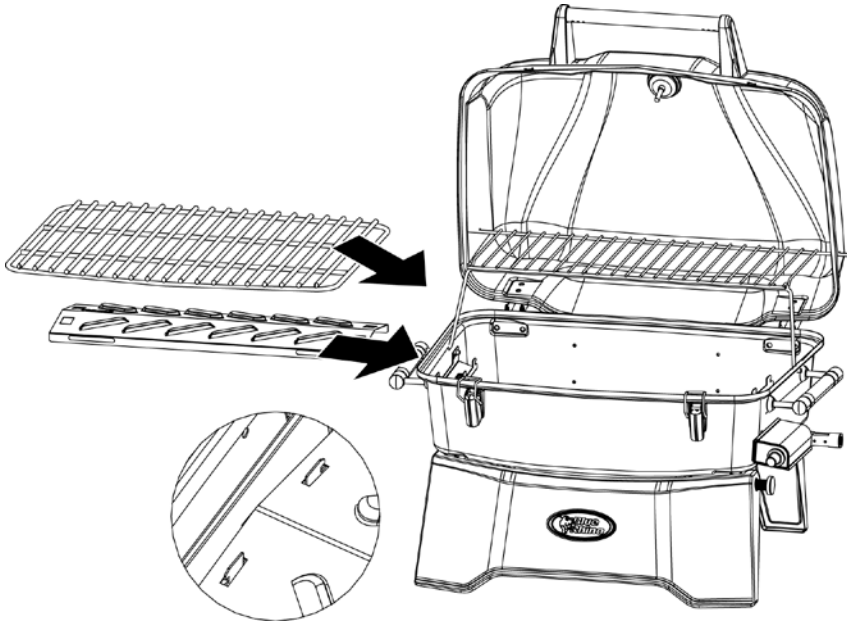
K  x 2 **L**  x 2

8 Insert Warming Rack

Assembly Instructions (continued)

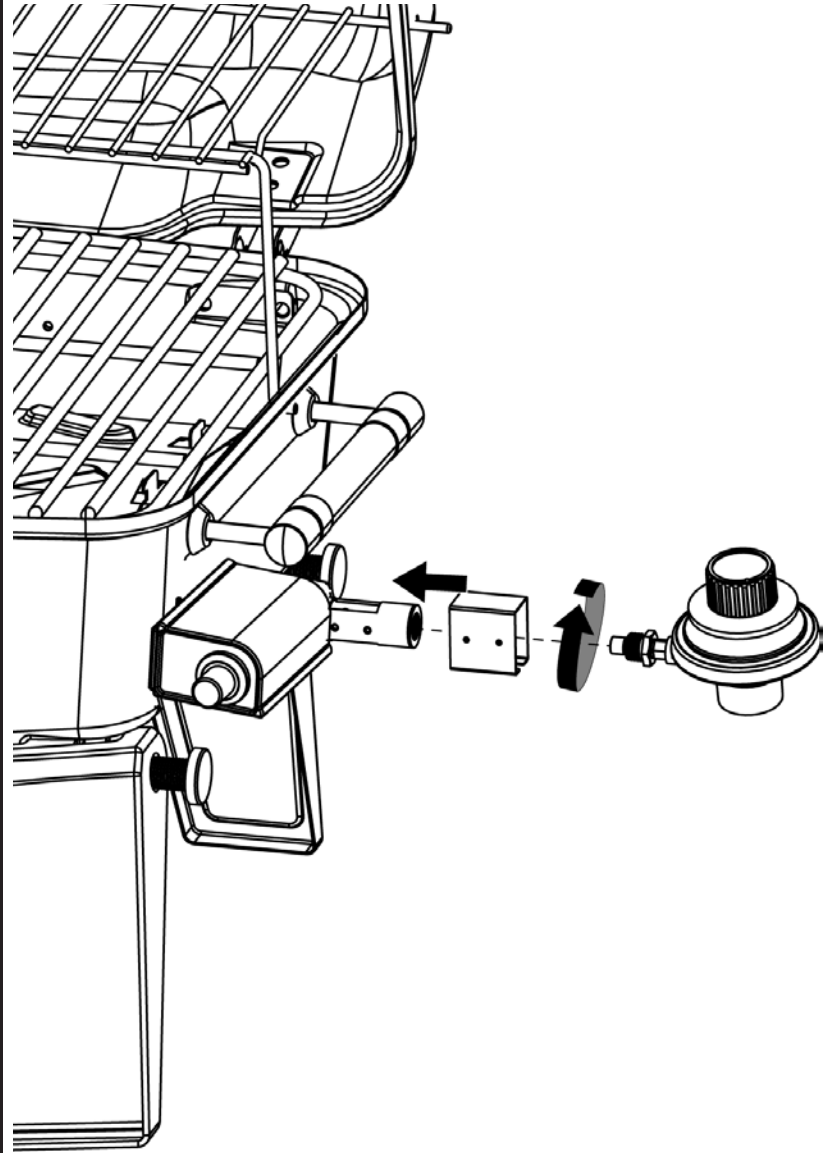
9

Insert Heat Plate and Cooking Grid



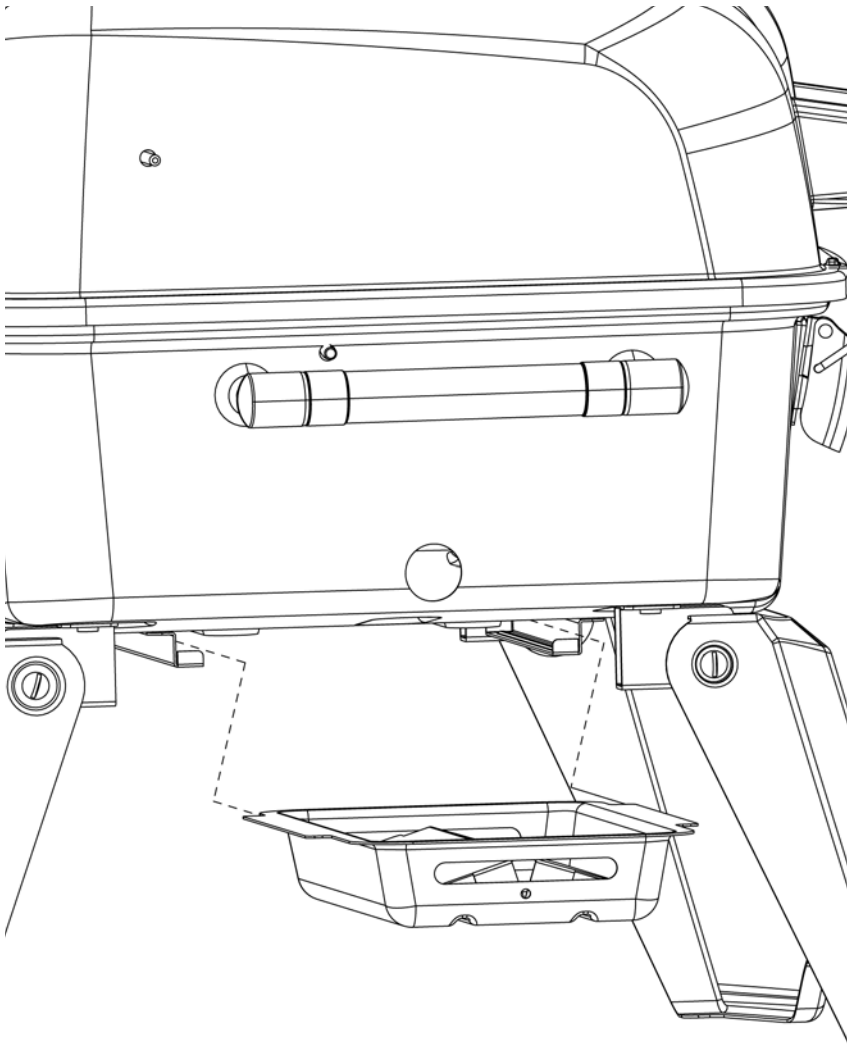
10

Attach Wind Guard and Regulator/Control Valve



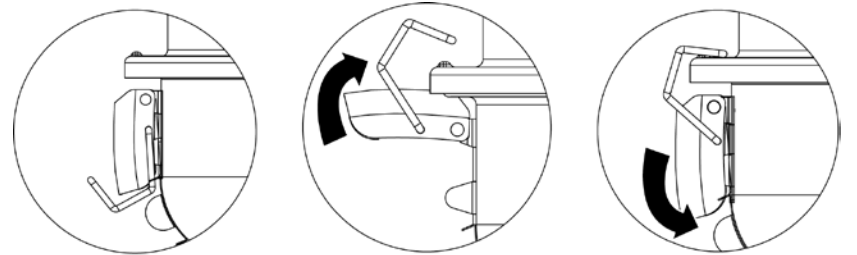
11

Insert Grease Plate



12

Lock Lid



Unlock Lid



Operating Instructions

This grill is designed to operate with a one pound 7-3/8" high disposable / 16.4 oz. or 14.1 oz. propane gas tank (DOT 39 Cylinder).

DO NOT ATTEMPT TO REFILL ANY ONE POUND (16.4 oz. or 14.1 oz.) PROPANE GAS TANKS!

Connecting Gas Tank

1. Make sure the regulator/control valve is in the "LOCK OFF" position. (Figure 1a)
2. Lubricate the threads of the regulator valve with petroleum jelly, insert the gas tank into the regulator valve and hand-tighten firmly. (Figure 1b)
3. Test for leaks

Figure 1a

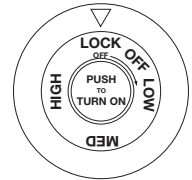
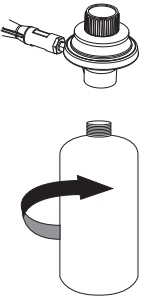


Figure 1b

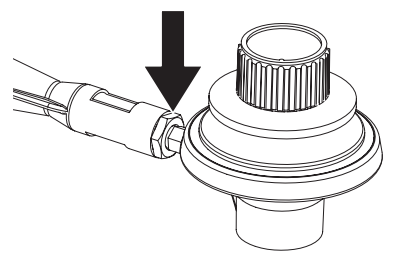


Checking for Leaks

Burner Connection

1. Make sure the control valve is securely fastened to the burner. (Figure 2)
- If your unit was assembled for you, visually check the connection between the burner and control valve.

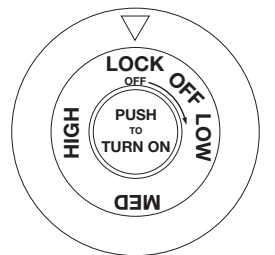
Figure 2



▲ WARNING: Failure to inspect this connection or follow these instructions could cause a fire or an explosion which can cause death, serious bodily injury, or damage to property.

2. If the burner pipe does not rest flush to the control valve, please contact 1.800.762.1142 for assistance.

Figure 3



Regulator / 1# LP Gas Tank Connection

1. Make 2-3 oz. of leak solution by mixing one part liquid dishwashing soap with three parts water.
2. Make sure control knob is "OFF". (Figure 3)
3. Spoon several drops of solution, or use squirt bottle, at the LP gas tank to regulator connection. (Figure 4)
4. Inspect the solution at the connection, looking for bubbles.
 - a. If NO bubbles appear, the connections are secure.
 - b. If bubbles appear, you have a leak.
 1. Loosen and retighten this connection, making sure the connection is secure.
 2. Retest with solution.
 - a. If you continue to see bubbles after several attempts, disconnect propane source and contact 1.800.762.1142 for assistance.

Figure 4

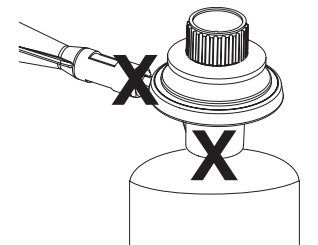
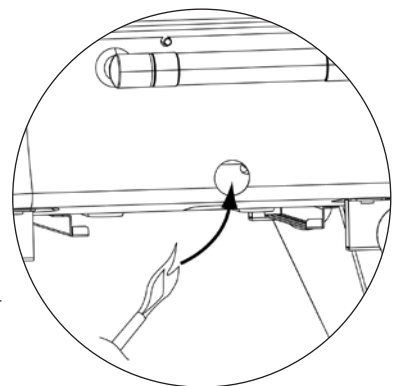


Figure 5



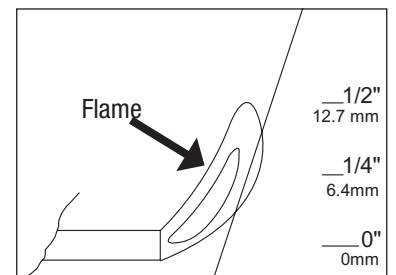
First Use

1. Make sure all labels, packaging and protective films have been removed from the grill.
2. Remove manufacturing oils before cooking on this grill for the first time, by operating the grill for at least 15 minutes on "HIGH" with the lid closed. This will "heat clean" the internal parts and dissipate odors.

Lighting

- ▲ Caution: Keep outdoor gas cooking appliance area clear and free from combustible materials, gasoline and other flammable vapors and liquids.**
- ▲ Caution: Do not obstruct the flow of combustion and ventilation air.**
- ▲ Caution: Check and clean burner/venturi tubes for insects and insect nests. A clogged tube can lead to a fire beneath the grill.**

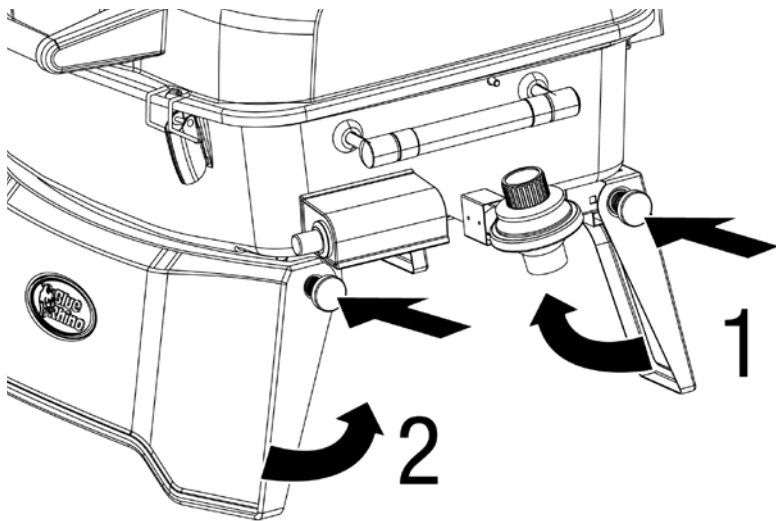
Figure 6



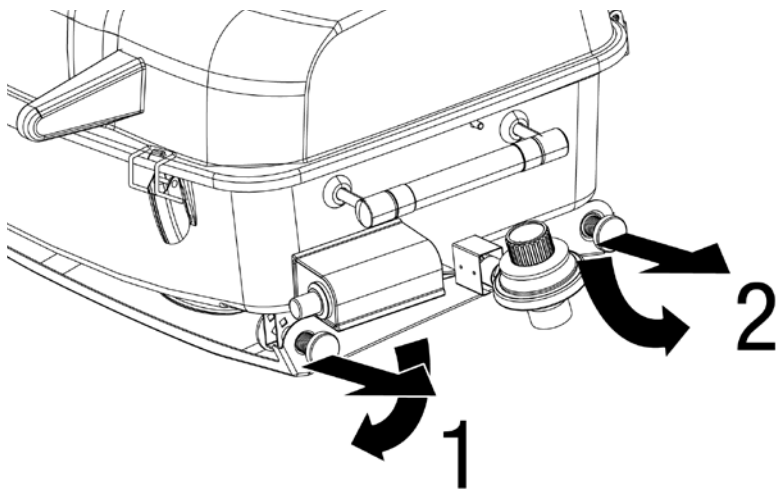
1. Make sure all labels, packaging and protective films have been removed from the grill.
2. Open lid. **Attempting to light the burner with the lid closed may cause an explosion!**
3. Make sure there are no obstructions of airflow to the gas unit. Spiders and insects can nest within and clog the burner / venturi tube at the orifice.
 - ▲ A clogged burner tube can lead to a fire beneath the appliance.**
4. Control knob must be in the "LOCK OFF" position. (Figure 3)
5. Turn the control knob to "HIGH"
6. Press the Igniter button repeatedly to light burner.

13

Fold Legs



Unfold Legs





Operating Instructions (continued)

- If ignition does not occur in 5 seconds, turn burner control knob OFF, wait 5 minutes and repeat lighting procedure.
- If igniter does not light burner, use a lit match secured with the lighting rod provided to light burner manually. Access the burner through the hole in bottom bowl as indicated. (Figure 5)
- Turn the grill to "LOW" and position the lit match near side of the burner.

Important: Always use the lighting rod provided when lighting burners with a match.

- After lighting, observe the burner flame. Make sure all burner ports are lit and flame height matches illustration. (Figure 6)

⚠ Caution: If burner flame goes out during operation, immediately turn the gas "OFF" and open lid to let the gas clear for about 5 minutes before re-lighting.

Turning Off

- Turn control knob to the "LOCK OFF" position.
- Remove LP gas tank and properly store tank.

Cooking

- Open lid and ignite burner per lighting instructions.
- Close lid and preheat grill on "HIGH".
- Adjust controls to desired temperature.
- Wear protective gloves and use long handle tongs to place food onto cooking grids above the lit burners.
- With lid open or closed, cook until desired internal food temperatures are achieved.
- Turn grill "OFF" by turning control knob to the "LOCK OFF" position. Remove LP gas tank and properly store tank.

Tips for Better Cookouts and Longer Grill Life

- For food safety tips visit: http://www.fsis.usda.gov/Fact_Sheets/Barbecue_Food_Safety/
- Use the upper cooking grid (warming rack) for keeping cooked food warm, toasting breads or cooking delicate foods in aluminum foil pouches.
- To keep food from sticking to the grids, spray or coat with cooking oil before lighting.
- To reduce flare-up keep grill clean, use lean cuts of meat (or trim fat) and avoid cooking on very high temperatures.
- Place delicate foods like fish and vegetables in aluminum foil pouches and place on upper cooking levels (warming rack).
- To avoid losing natural juices, use long handled tongs or spatulas instead of forks and turn foods over just once during cooking.
- Enhance food flavors by using wood chips in smoker boxes or aluminum foil pouches. Follow the wood manufacturer's instructions.
- Clean cooking grids and racks after every use with a quality grill brush designed for your grid material. Wear protective gloves and gently remove the build-up while grids are hot.
- After every use, allow grill to cool. Then protect clean cooking grids with a light coat of cooking oil, empty grease pan (if included), wipe outside surfaces with a suitable kitchen cleaner and store in a cool dry place.
- Visit websites like www.bluerhino.com, watch barbecue themed TV shows or purchase related barbecue cookbooks to learn more interesting tips.

Cleaning and Care

⚠ Caution:

- All cleaning and maintenance should be done when grill is cool and with the fuel supply disconnected.**
- DO NOT clean any grill part in a self cleaning oven. The extreme heat will damage the finish.**

Notices

- Abrasive cleaners will damage this product.**
- Never use oven cleaner to clean any part of grill.**
- Do not clean any grill part in a self cleaning oven. The extreme heat will damage the finish.**
- This grill should be thoroughly cleaned and inspected on a regular basis.**

Cleaning Surfaces

- Wipe surfaces clean with mild dishwashing detergent or baking soda.
- For stubborn surfaces use a citrus based degreaser and a nylon scrubbing brush.
- Rinse clean with water.

Cleaning and Care (continued)

Cleaning Burner

- Turn gas off at the control knob and remove LP gas tank.
- Remove regulator and wind guard.
- Remove cooking grids and heat plate.
- Disconnect wire from igniter.
- Remove burner.
- Clean inlet of burner with small bottle brush or compressed air.
- Remove all food residue and dirt on burner surface.
- Clean any clogged ports with a stiff wire (such as an opened paper clip)
- Inspect burner for any damage (cracks or holes). If damage is found, replace with new burner.
- Reinstall burner. Reconnect igniter, wind guard, and regulator.
- Replace heat plate and cooking grid
- Perform leak test.

Product Registration

For faster warranty service, please register your product immediately at www.bluerhino.com or call 1.800.762.1142.

Limited Warranty

Blue Rhino Global Sourcing, Inc ("Vendor") warrants to the original retail purchaser of this product, and to no other person, that if this product is assembled and operated in accordance with the printed instructions accompanying it, then for a period of one (1) year from the date of purchase, all parts in such product shall be free from defects in material and workmanship. Vendor may require reasonable proof of your date of purchase. Therefore, you should retain your sales slip or invoice. This Limited Warranty shall be limited to the repair or replacement of parts, which prove defective under normal use and service and which Vendor shall determine in its reasonable discretion upon examination to be defective. Before returning any parts, you should contact Vendor's Customer Service Department using the contact information listed below. If Vendor confirms, after examination, a defect covered by this Limited Warranty in any returned part, and if Vendor approves the claim, Vendor will replace such defective part without charge. If you return defective parts, transportation charges must be prepaid by you. Vendor will return replacement parts to the original retail purchaser, freight or postage prepaid.

This Limited Warranty does not cover any failures or operating difficulties due to accident, abuse, misuse, alteration, misapplication, improper installation or improper maintenance or service by you or any third party, or failure to perform normal and routine maintenance on the product as set out in this owner's manual. In addition, the Limited Warranty does not cover damage to the finish, such as scratches, dents, discoloration, rust or other weather damage, after purchase.

This Limited Warranty is in lieu of all other express warranties. Vendor disclaims all warranties for products that are purchased from sellers other than authorized retailers or distributors, including the warranty of merchantability or the warranty of fitness for a particular purpose. VENDOR ALSO DISCLAIMS AND ANY ALL IMPLIED WARRANTIES, INCLUDING WITHOUT LIMITATION THE IMPLIED WARRANTIES OF MERCHANTABILITY AND FITNESS FOR A PARTICULAR PURPOSE. VENDOR SHALL NO LIABILITY TO PURCHASER OR ANY THIRD PARTY FOR ANY SPECIAL, INDIRECT, PUNITIVE, INCIDENTAL, OR CONSEQUENTIAL DAMAGES. Vendor further disclaims any implied or express warranty of, and assumes no responsibility for, defects in workmanship caused by third parties.

This Limited Warranty gives the purchaser specific legal rights; a purchaser may have other rights depending upon where he or she lives. Some jurisdictions do not allow the exclusion or limitation of special, incidental or consequential damages, or limitations on how long a warranty lasts, so the above exclusion and limitations may not apply to everyone.

Vendor does not authorize any person or company to assume for it any other obligation or liability in connection with the sale, installation, use, removal, return, or replacement of its equipment, and no such representations are binding on Vendor.

Blue Rhino Global Sourcing, Inc
Winston-Salem, North Carolina USA
(800) 762-1142

Contact 1.800.762.1142 for assistance. Do not return to place of purchase.

Troubleshooting

Problem	Possible Cause	Prevention/Cure
Burner will not light with match	No gas flow.	Check if LP gas tank is empty.
	Obstruction of gas flow.	Clear burner.
	Spider webs or insect nest in burner tube.	Clean burner tube.
	Burner ports clogged or blocked.	Clean burner ports.
Irregular flame pattern, flame does not run the full length of burner.	Burner ports are clogged or blocked.	Clean burner ports.
Flame is yellow or orange	New burner may have residual manufacturing oils.	Burn grill for 15 minutes with the lid closed.
	Spider webs or insect nest in burner tube.	Clean burner tube.
	Food residue, grease or seasoning salt on burner.	Clean burner.
Flame blow out	High or gusting winds.	Turn front of grill to face wind or increase flame height.
	Low on LP Gas.	Replace LP gas tank.
Flare-up	Grease buildup.	Clean grill.
	Excess fat in meat.	Trim fat from meat before grilling.
	Excessive cooking temperature.	Adjust (lower) temperature accordingly.
Persistent grease fire.	Grease trapped by food buildup around burner system.	Turn knobs to "LOCK OFF" position. Leave lid in closed position and let fire burn out. After grill cools, remove and clean all parts.
Flashback (fire in burner tube(s))	Burner and/or burner tube is blocked.	Clean burner and/or burner tube.
Inside of lid or cooking grid is peeling	Baked on grease buildup has turned to carbon and is flaking off.	Clean thoroughly.
For more assistance please visit us online at www.bluerhino.com or call 1.800.762.1142 for immediate assistance.		

Barbecue d'extérieur au propane

Modèle n° GBT9080L



AVERTISSEMENT

POUR VOTRE SÉCURITÉ :

Pour usage à l'extérieur seulement
(hors de tout abri clos).



AVERTISSEMENT

POUR VOTRE SÉCURITÉ :

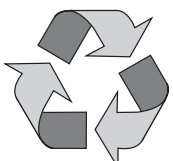
- 1. Une installation, un ajustement, une altération, une utilisation ou un entretien inadéquat peuvent causer des blessures ou des dommages matériels.**
- 2. Lisez attentivement les instructions avant de procéder à l'installation, à l'utilisation ou à l'entretien de l'appareil.**
- 3. Le non-respect de ces consignes risque de provoquer un incendie ou une explosion et entraîner des dégâts matériels, des blessures graves ou un décès.**

Conservez ces instructions afin de pouvoir les consulter ultérieurement. Si vous assemblez cet appareil pour une autre personne, veuillez lui fournir le manuel afin qu'elle puisse le consulter plus tard.

Table des matières

Consignes de sécurité importantes	Page 2
Vue éclatée des pièces et quincaillerie	3
Instructions pour l'assemblage	4
Fonctionnement	7
Rechercher une fuite potentielle	7
Utilisation du barbecue pour la première fois	7
Allumage du barbecue	7
Fermeture du barbecue	8
Cuisson	8
Conseils	8
Nettoyage et entretien	8
Enregistrement de l'appareil	8
Garantie limitée	9
Guide de dépannage	9

L'utilisation et l'installation de cet appareil doivent être conformes aux codes locaux. En l'absence de codes locaux, suivre le *Code national du gaz combustible*, la norme *ANSI Z223.1/NFPA 54*, le *Code d'installation du gaz naturel et du propane*, *CSA B149.1*, ou le *Code de stockage et de manipulation du propane*, *B149.2.*, ou la norme pour véhicules récréatifs *ANSI A 119.2/NFPA 1192*, la réglementation *CSA Z240 pour séries VR*, et le *Code sur les véhicules récréatifs* selon le cas.



Imprimé sur du papier
contenant 70 % de bagasse
(Imprimé sur du papier
contenant 70 % de bagasse)



Fabriqué en Chine pour :
Blue Rhino Global Sourcing, Inc.
Winston-Salem, NC 27105 États-Unis
1 800 762-1142, www.bluerhino.com

© 2008 Blue Rhino Global Sourcing, Inc. Tous droits réservés.
Blue Rhino® est une marque déposée de Ferrellgas, L.P. Tous droits réservés.

DANGER

En cas d'odeur de gaz :

1. Fermez le robinet de gaz alimentant l'appareil.
2. Éteignez toute flamme.
3. Ouvrez le couvercle.
4. Si l'odeur persiste, tenez-vous à distance de l'appareil et appelez immédiatement le fournisseur de gaz ou le service d'incendie.

AVERTISSEMENT**POUR VOTRE SÉCURITÉ :**

1. N'utilisez pas ni n'entreposez d'essence ou de liquides dégageant des vapeurs inflammables à proximité de cet appareil ou de tout autre appareil.
2. N'entreposez pas une bouteille de propane de rechange à proximité de cet appareil ou de tout autre appareil.

▲ DANGER : La non-observance des avertissements et des mises en garde de ce manuel peut entraîner un incendie ou une explosion, de même que des dommages corporels, des blessures graves et la mort.

▲ AVERTISSEMENT :

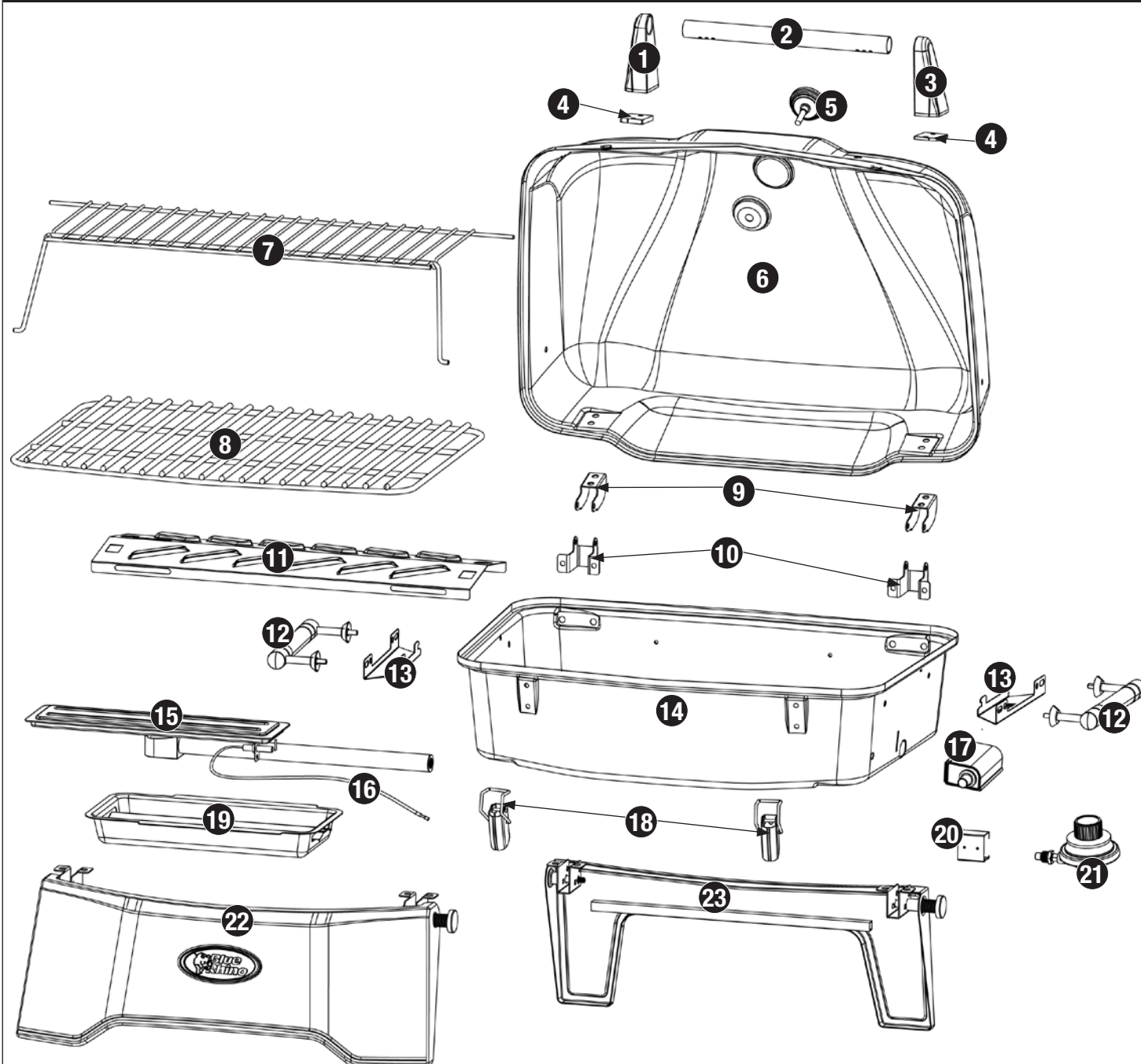
- ▲ Ce barbecue doit être utilisé uniquement à l'extérieur et ne doit pas être utilisé dans un immeuble, un garage ou tout autre espace clos.
- ▲ Ce barbecue N'EST PAS destiné à un usage commercial.
- ▲ Il ne s'agit en aucun cas d'un barbecue de table! Par conséquent, ne jamais placer ce barbecue sur une table quelconque.
- ▲ Ce barbecue doit être utilisé uniquement avec du propane liquide (PL). Toute utilisation de gaz naturel avec ce barbecue ou tentative de conversion au gaz naturel de ce barbecue est dangereuse et annulerait la garantie.
- ▲ Caractéristiques du propane (PL) :
 - a. Le propane est un gaz inflammable et dangereux si ce dernier n'est pas manipulé correctement. Il est indispensable de connaître les dangers encourus avant d'utiliser tout appareil fonctionnant au propane.
 - b. Le propane est inflammable, explosif sous pression, plus lourd que l'air et se dépose en mares dans des endroits profonds.
 - c. Le propane à l'état naturel est inodore. Pour votre sécurité, un odorisant ayant l'odeur de choux avariés a été ajouté.
 - d. Tout contact du propane avec la peau risque d'entraîner des brûlures.
- ▲ Il est nécessaire de brancher une bouteille de propane pour faire fonctionner le barbecue. Seules les bouteilles marquées « propane » peuvent être utilisées.
- ▲ La bouteille de propane doit être fabriquée, marquée et mise en service conformément aux normes du U.S. Department of Transportation pour de telles bouteilles ou à la norme nationale du Canada, *CAN/CAS-B339*, « Bouteilles et tubes utilisés pour le transport des marchandises dangereuses et la commission ».
- ▲ La bouteille de propane doit être placée afin de faciliter l'extraction des vapeurs de gaz.
- ▲ Toute bouteille bosselée ou présentant des traces de rouille peut être dangereuse et doit être vérifiée par votre fournisseur de propane avant d'être utilisée.
- ▲ Ne pas laisser tomber la bouteille ni la manipuler brusquement ou brutalement!
- ▲ Les bouteilles de propane doivent être stockées à l'extérieur, hors de portée des enfants et ne doivent pas être entreposées dans un bâtiment, un garage ou dans tout autre lieu fermé. Les bouteilles de gaz ne doivent jamais être entreposées dans un endroit où la température risque de dépasser 51,6°C (125°F)!
- ▲ Ne jamais essayer de raccorder ce barbecue au circuit de propane d'une tente-caravane, d'une autocaravane ou de votre maison.
- ▲ Ne jamais entreposer une bouteille de propane de rechange sous ou à proximité de cet appareil.
- ▲ La prise d'alcool, de médicaments ou de drogues risque de diminuer l'aptitude de l'utilisateur à assembler ou à utiliser cet appareil en toute sécurité.
- ▲ Ne jamais utiliser de charbon de bois, d'essence à briquet, de pierres de lave, d'essence, de kérosène ou d'alcool avec ce barbecue.
- ▲ Votre barbecue a été vérifié en usine afin de s'assurer que les raccords ne présentent aucune fuite. Vérifier à nouveau tous les raccords car il est possible qu'ils se soient desserrés lors du transport.
- ▲ Vérifier que l'appareil ne présente aucune fuite même si ce dernier a été assemblé pour vous par quelqu'un d'autre.
- ▲ Ne pas utiliser le barbecue en cas de fuite de gaz. Toute fuite de gaz risque de provoquer un incendie ou une explosion.
- ▲ Il est obligatoire de suivre toutes les procédures de détection de fuite avant d'utiliser cet appareil. Afin d'éviter tout risque d'incendie et d'explosion lors de la détection des fuites :
 - a. Vérifier toujours les fuites avant d'allumer le barbecue ou chaque fois qu'une bouteille est raccordée et prête à utiliser.
 - b. Ne pas utiliser ni laisser de sources d'ignition à proximité du barbecue lors de la détection des fuites. Ne pas fumer.
 - c. Effectuer le test d'étanchéité à l'extérieur, dans un emplacement bien aéré.
 - d. Ne pas utiliser d'allumettes, de briquets ou de flamme nue afin de rechercher une fuite.
 - e. Ne pas utiliser le barbecue tant que toutes les fuites n'ont pas été colmatées.S'il s'avère impossible d'arrêter une fuite, débrancher la bouteille de propane. Appeler notre service à la clientèle, un réparateur d'appareils à gaz ou votre fournisseur de bouteilles de propane.
- ▲ Ne pas utiliser le barbecue en présence de vapeurs et d'émanations explosives. Veiller à ce que la zone autour du barbecue demeure dégagée et dépourvue de matières combustibles, d'essence ainsi que d'autres liquides et vapeurs inflammables.
- ▲ S'assurer que toute surface et matière combustible se trouve toujours à une distance minimum de 53,3 cm du barbecue. NE PAS utiliser ce barbecue sous un abri, une structure suspendue ou en saillie ou à proximité de toute construction combustible non protégée.
- ▲ Il est primordial que le compartiment de la commande du barbecue, les brûleurs et les orifices permettant la circulation de l'air demeurent propres. Vérifier le barbecue avant chaque utilisation.
- ▲ Ne pas modifier le barbecue de quelque façon que ce soit.
- ▲ Ne pas utiliser le barbecue à moins qu'il ne soit COMPLÈTEMENT assemblé et que toutes les pièces ne soient fixées et serrées.
- ▲ Ce barbecue doit être vérifié et nettoyé en entier régulièrement.
- ▲ Utiliser uniquement le régulateur fourni. Toute pièce de rechange doit être approuvée par le fabricant.
- ▲ Utiliser uniquement des pièces agréées de l'usine Blue Rhino Global Sourcing, Inc. L'emploi de toute pièce non agréée peut être dangereux et annulerait la garantie.
- ▲ Ne pas utiliser cet appareil avant d'avoir lu le chapitre « Fonctionnement » de ce manuel.
- ▲ Ne pas toucher les pièces métalliques du barbecue avant qu'il ne soit complètement refroidi (attendre environ 45 minutes) afin de ne pas se brûler, ou porter des vêtements de protection (poignées, gants, mitaines pour le barbecue, etc.).
- ▲ Ne pas installer ni utiliser cet appareil à bord d'un bateau ou d'un véhicule récréatif.
- ▲ Lors de la cuisson, conserver toujours à portée de main des articles ou matières capables d'éteindre le feu. En cas de feu de graisse, ne pas tenter d'éteindre le feu avec de l'eau. Utiliser un extincteur à poudre BC ou étouffer le feu avec de la terre, du sable ou du bicarbonate de soude.
- ▲ Ne pas utiliser le barbecue par grand vent.
- ▲ Ne jamais se pencher au-dessus du barbecue pour l'allumer.
- ▲ Ne jamais laisser un barbecue allumé sans surveillance surtout si des enfants ou des animaux domestiques se trouvent à proximité.
- ▲ Ne pas essayer de déplacer le barbecue quand il est allumé. Laisser le barbecue refroidir avant de le déplacer ou de le remiser.
- ▲ Le remisage du barbecue à l'intérieur est autorisé seulement si la bouteille a été débranchée et retirée de l'appareil et correctement entreposée à l'extérieur.
- ▲ Veiller à toujours ouvrir le couvercle du barbecue lentement et avec précaution en portant un gant de protection ou avec une poignée, car la chaleur et la vapeur piégées à l'intérieur peuvent provoquer de graves brûlures.
- ▲ Ne pas tenter de débrancher le régulateur de gaz de la bouteille ou de débrancher une pièce quelconque de l'alimentation du gaz lorsque le barbecue est allumé.
- ▲ Débrancher la bouteille lorsqu'elle n'est pas utilisée.
- ▲ Placer toujours le barbecue sur une surface plane, dure et non combustible. Il est déconseillé de le placer sur un revêtement bitumineux.
- ▲ Ne pas utiliser cet appareil directement sur une terrasse en bois.
- ▲ Veiller à ce que les câbles et cordons électriques demeurent toujours loin du barbecue lorsqu'il est chaud.
- ▲ Ne pas utiliser le barbecue pour se chauffer ou pour cuisiner à l'intérieur. Des émanations TOXIQUES de monoxyde de carbone peuvent s'accumuler et provoquer l'asphyxie.
- ▲ Après une période de remisage ou si le barbecue n'a pas été utilisé pour une certaine période, s'assurer qu'il n'y a pas de fuite et que les brûleurs ne sont pas bouchés.
- ▲ Le fait de ne pas maintenir le couvercle ouvert lors de l'allumage des brûleurs du barbecue ou de ne pas attendre 5 minutes afin que le gaz se dissipe au cas où le barbecue ne s'allume pas, risque de provoquer un retour de flammes explosif.
- ▲ Lorsque le barbecue n'est pas utilisé, fermer l'alimentation du gaz au niveau de la bouteille.
- ▲ Ne jamais utiliser le barbecue sans avoir installé auparavant la plaque chauffante.
- ▲ Veiller à toujours utiliser un thermomètre à viande afin de s'assurer que la nourriture est cuite à une température adéquate.
- ▲ Porter des gants de protection pour assembler cet article.
- ▲ Ne pas forcer les pièces les unes dans les autres afin d'éviter les blessures et prévenir tout dommage à l'appareil.
- ▲ Ne jamais recouvrir la zone de cuisson avec du papier d'aluminium.
- ▲ Le non-respect des consignes qui précèdent peut entraîner des dommages matériels, des blessures graves ou la mort.

Si vous avez besoin d'aide, composez le 1 800 762-1142. Ne retournez pas cet article au détaillant.

Liste des pièces

1	Support gauche de la poignée du couvercle	55-09-099
2	Poignée du couvercle	55-09-473
3	Support droit de la poignée du couvercle	55-09-192
4	Rondelle de la poignée du couvercle (2)	55-09-478
5	Thermomètre	55-09-493
6	Couvercle	55-09-472
7	Grille de maintien au chaud	55-15-256
8	Grille de cuisson	55-09-480
9	Charnière supérieure (2)	55-09-475
10	Charnière inférieure (2)	55-15-329
11	Plaque de diffusion de chaleur	55-09-329
12	Poignée latérale (2)	55-14-983
13	Support de la plaque de diffusion de chaleur (2)	55-09-330
14	Cuve	55-09-459
15	Brûleur	55-15-225
16	Fil de l'allumeur	55-09-471
17	Allumeur	55-09-492
18	Verrou (2)	55-08-331
19	Bac à graisse	55-15-230
20	Chapeau de protection anti-vent	55-07-683
21	Soupape de commande (régulateur)	55-15-248
22	Pattes avant	55-09-476
23	Pattes arrière	55-09-477

Vue éclatée

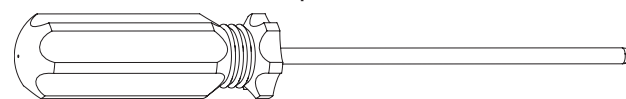


Quincaillerie

A	Vis	Galvanisée, à tête bombée Phillips M4x12	4 pièces
B	Vis	Galvanisée, à tête bombée Phillips M5x12	8 pièces
C	Vis	Galvanisée, à tête bombée Phillips M6x8	1 pièces
D	Vis	Galvanisée, à tête bombée Phillips M6x12	13 pièces
E	Écrou à oreilles	Acier, M4	4 pièces
F	Écrou à oreilles	Acier, M5	12 pièces
G	Rondelle	Galvanisée, ø5.2	4 pièces
H	Rondelle	Galvanisée, ø6.4	5 pièces
I	Rondelle	Résistante à la chaleur, ø6.4	9 pièces
J	Rondelle de blocage	Galvanisée, ø6.4	1 pièce
K	Goupille	Galvanisée, ø5 x 32	2 pièces
L	Goupille fendue	Acier, ø1.2 x 30	2 pièces

Outil requis pour l'assemblage (fourni)

Tournevis cruciforme Phillips n° 2



Instructions pour l'assemblage

1 NE PAS RETOURNER CET ARTICLE AU DÉTAILLANT.

Pour toute assistance technique, composez le numéro sans frais **1 800 762-1142**. Faites en sorte que votre manuel d'utilisation et le numéro de série soient à portée de main afin de pouvoir vous y référer.

Pour faciliter l'assemblage :

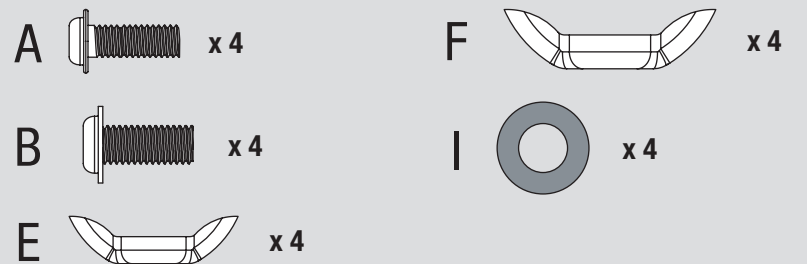
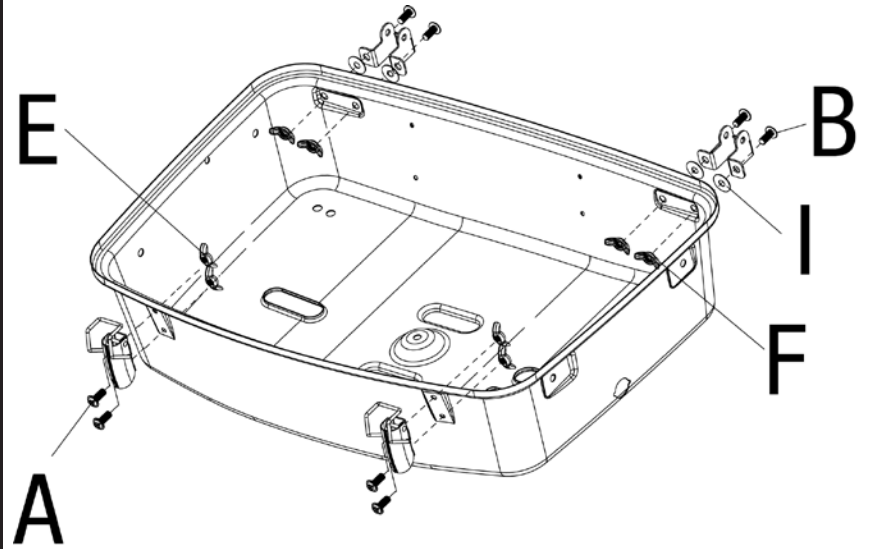
- Pour éviter de perdre des petites pièces ou la quincaillerie, assemblez cet article sur une surface dure et plane qui ne comporte pas de trous ni de fissures.
- Prévoyez une surface de travail suffisamment grande afin d'étaler toutes les pièces et la quincaillerie.
- Lorsqu'il est possible de le faire, commencez d'abord par visser à la main toutes les fixations. Puis, une fois l'étape terminée, serrez-les entièrement.
- Suivez toutes les étapes dans l'ordre afin d'assembler correctement cet article.

Pour effectuer l'assemblage, vous aurez besoin de ceci :

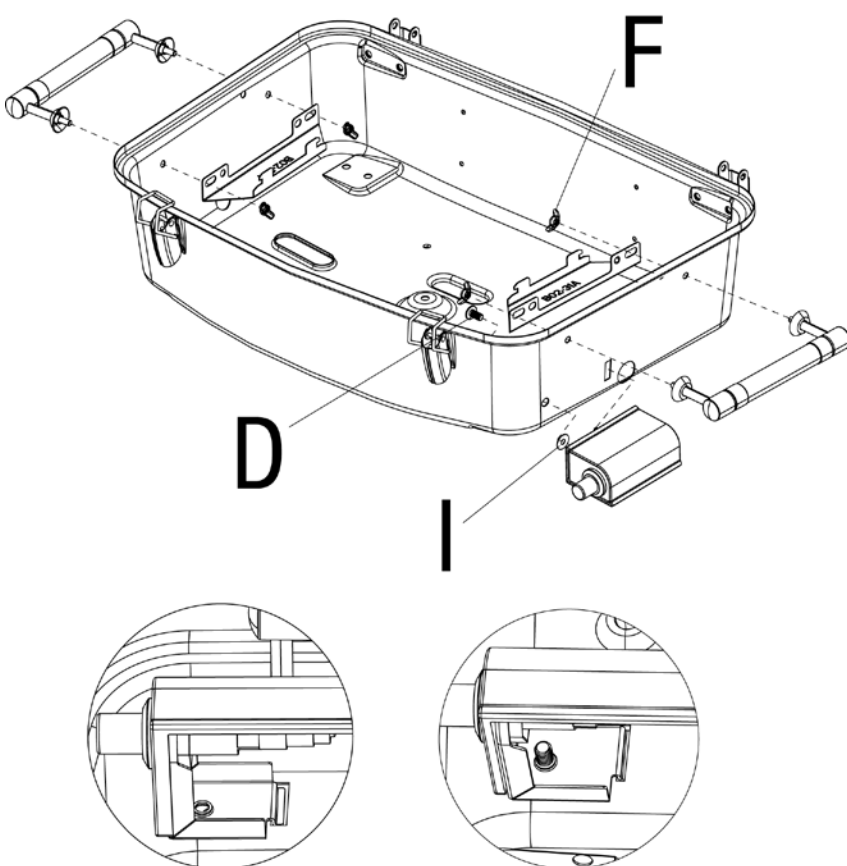
- (1) solution de détection de fuites (voir instructions sur la préparation de la solution au chapitre « Fonctionnement »).
 - (1) bouteille de propane de 14,1 oz ou (1) bouteille de 16,4 oz
- Remarque :* Veuillez suivre toutes les étapes dans l'ordre afin d'assembler correctement le barbecue.

Temps d'assemblage : environ 30 minutes.

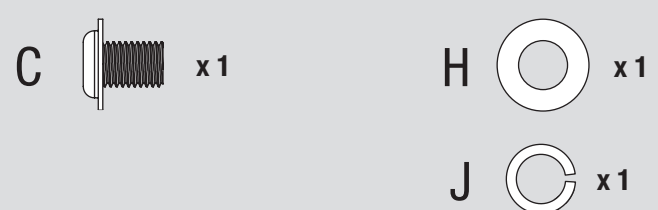
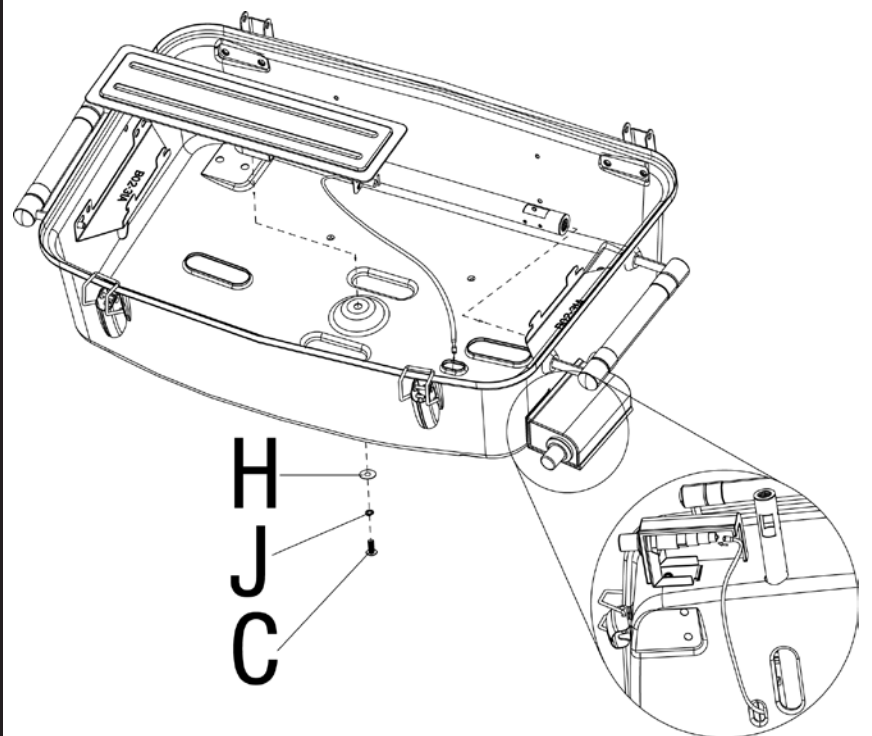
2 Fixez les charnières inférieures et les verrous.



3 Fixez les poignées latérales, les supports de la plaque de diffusion de chaleur et l'allumeur.

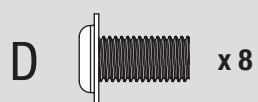
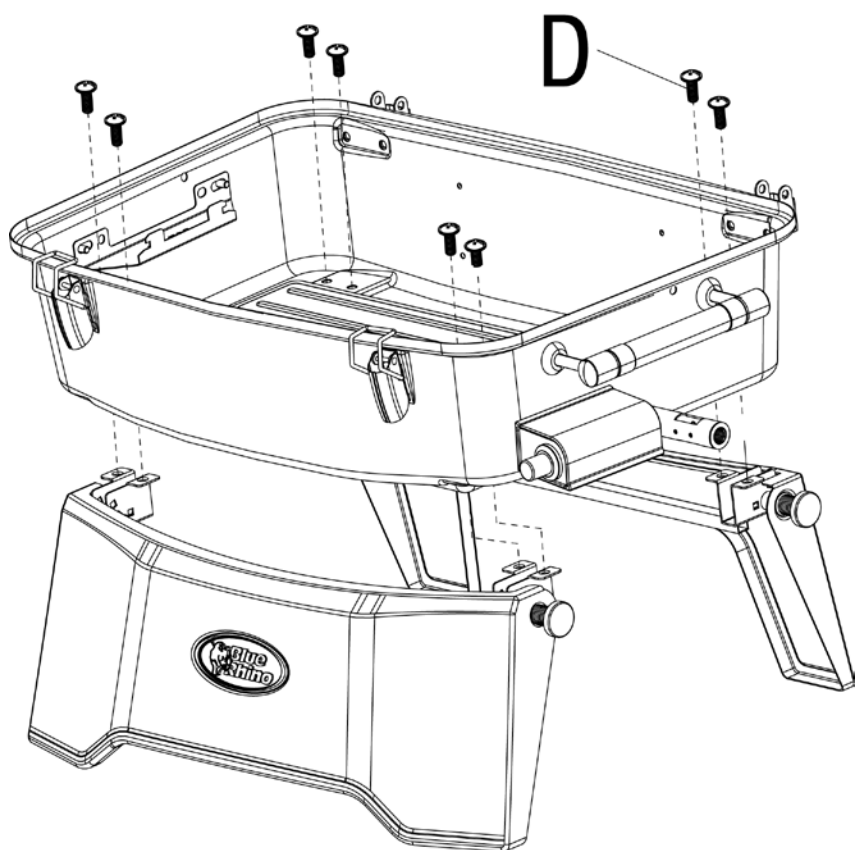


4 Fixez le brûleur et le fil de l'allumeur.



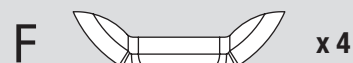
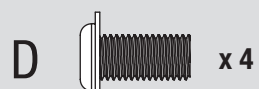
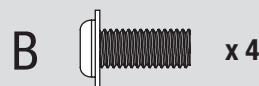
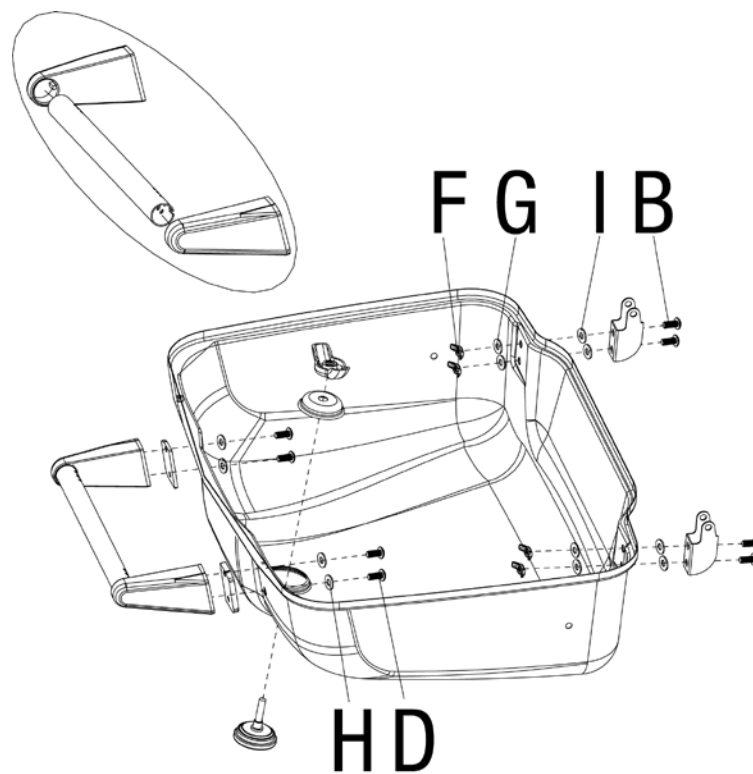
5

Fixez les pattes.



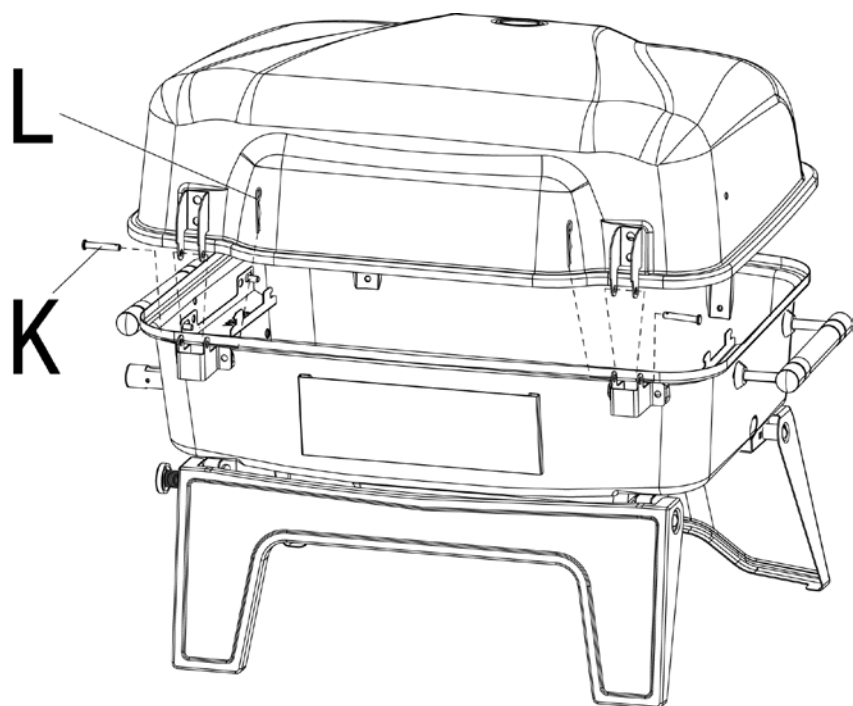
6

Fixez la poignée du couvercle, les charnières supérieures et le thermomètre.



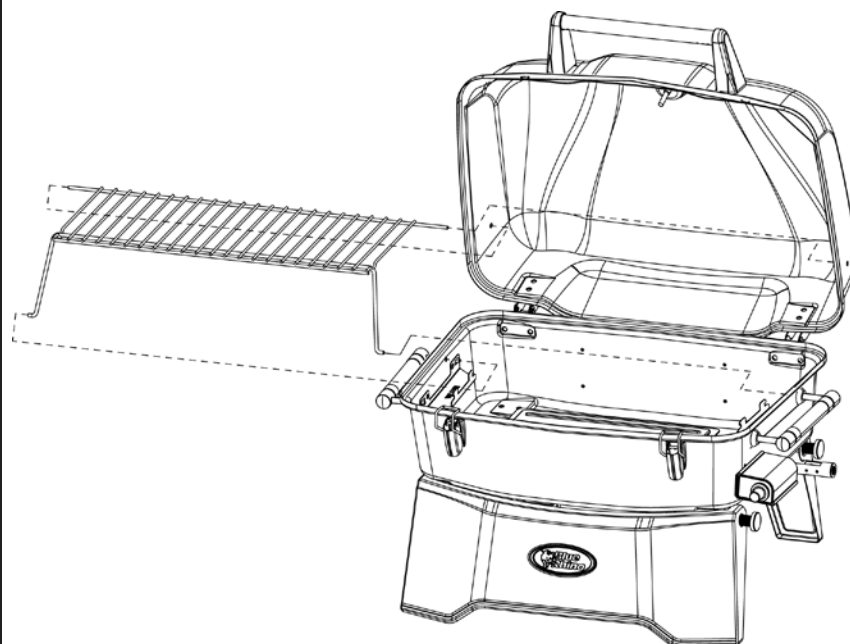
7

Fixez le couvercle.



8

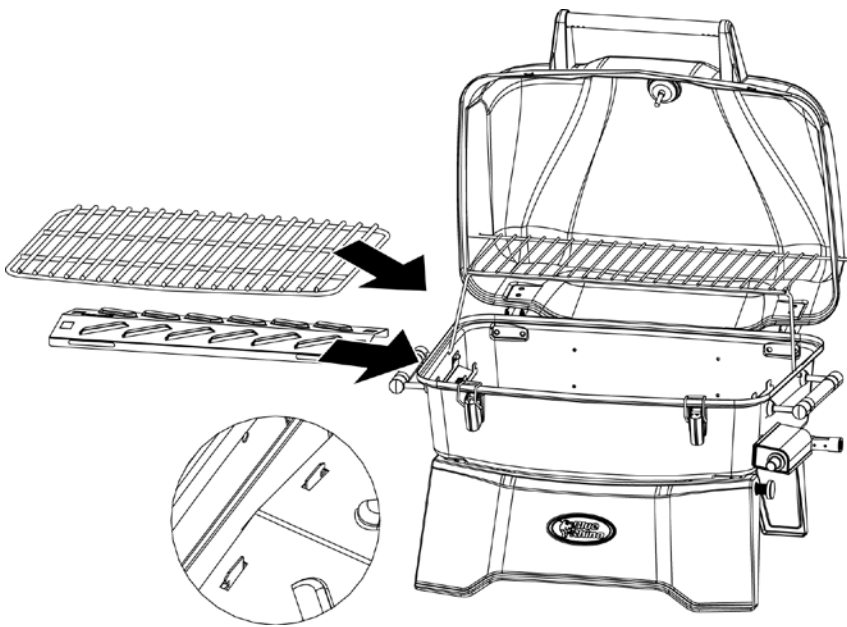
Placez la grille de maintien au chaud.



Instructions pour l'assemblage (suite)

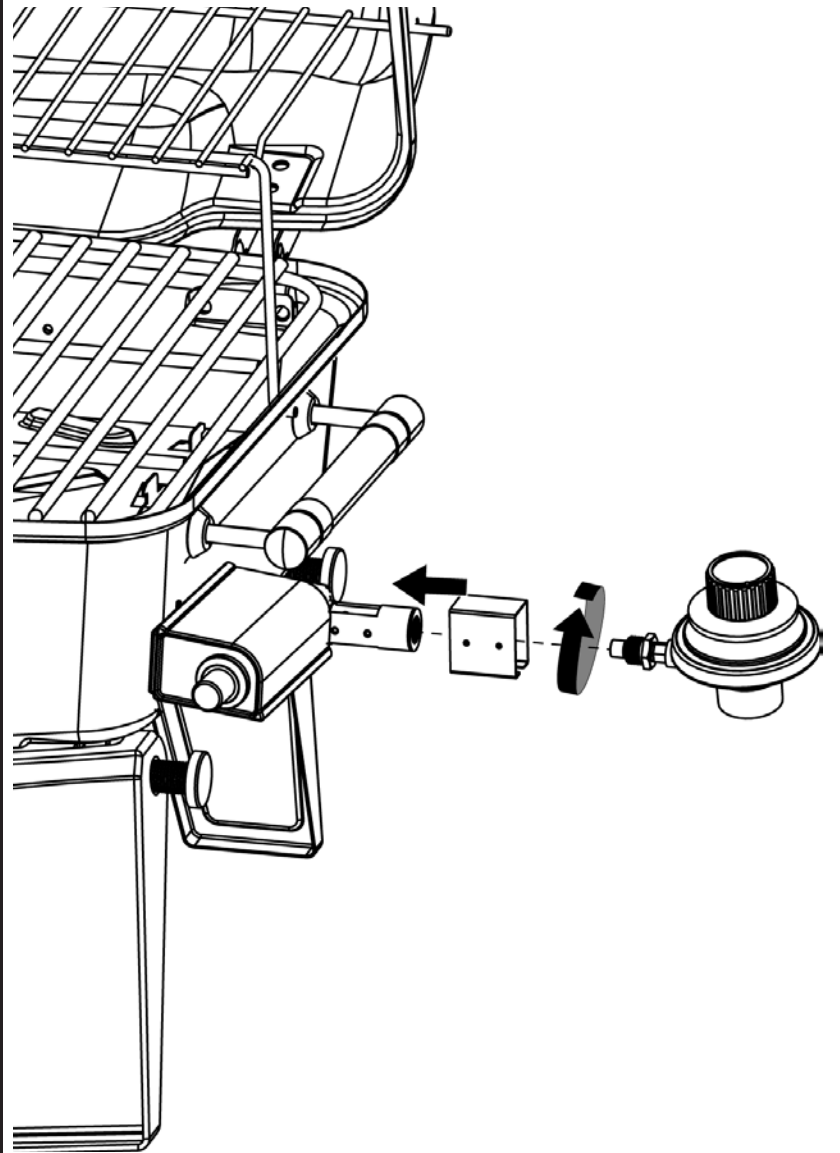
9

Placez la plaque de diffusion de chaleur et la grille de cuisson.



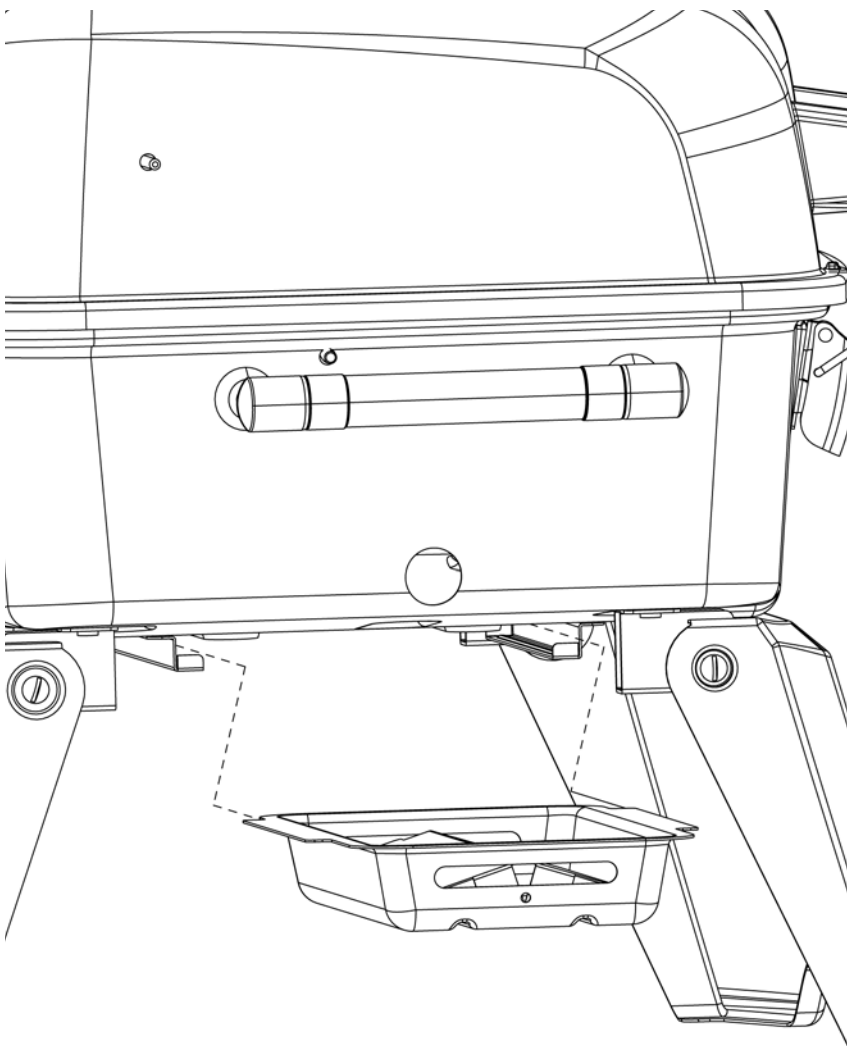
10

Fixez le chapeau de protection anti-vent et la soupape de commande (régulateur).



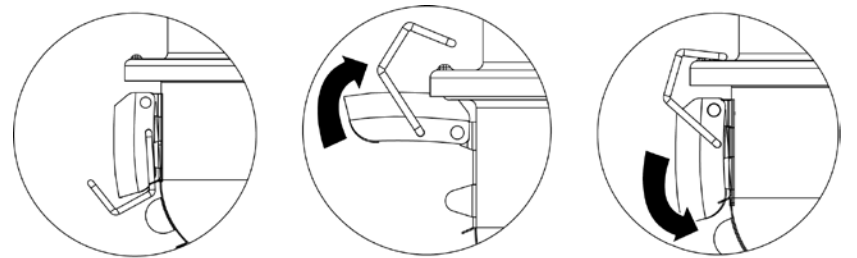
11

Insérez le bac à graisse.

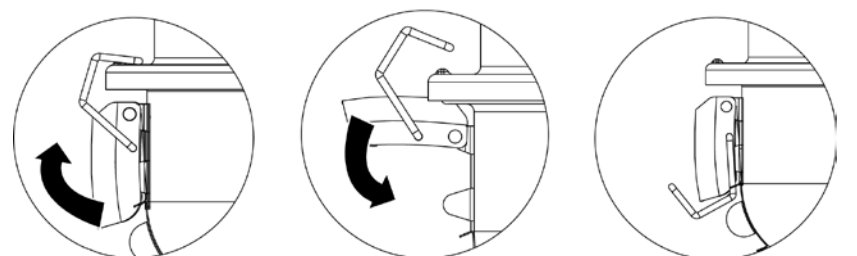


12

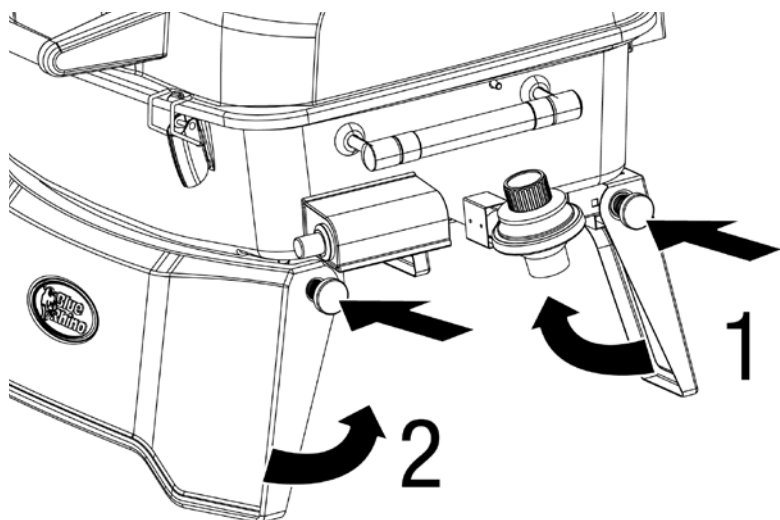
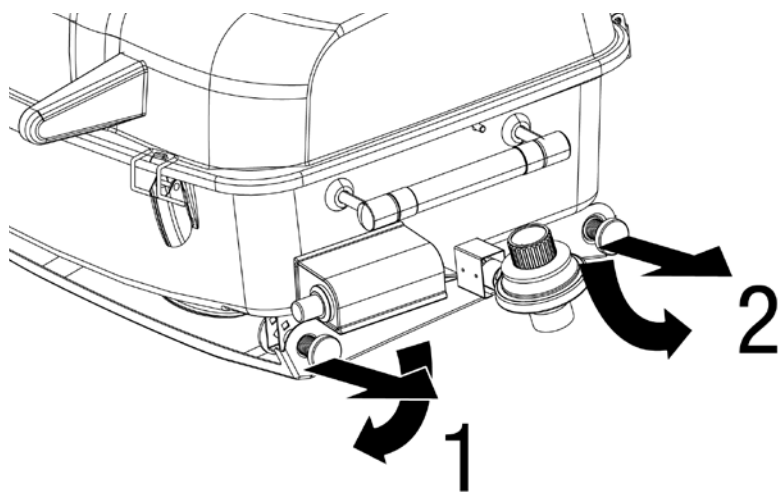
Verrouillez le couvercle.



Déverrouillez le couvercle.



13

Pliez les pattes**Dépliez les pattes****Fonctionnement**

Ce barbecue a été conçu afin de fonctionner avec une bouteille de propane jetable (DOT 39) de 7 3/8 po (19 cm) de hauteur et de 14,1 ou 16,4 oz.

NE PAS TENTER DE REMPLIR UNE BOUTEILLE DE PROPANE DE 14,1 OU 16,4 OZ!

Remplacement de la bouteille de gaz

1. Assurez-vous que la soupape de commande (régulateur) est réglée sur « LOCK OFF » (fermé et verrouillé). Reportez-vous à l'illustration 1a.
2. Lubrifiez le filetage de la soupape du régulateur avec de la vaseline, puis insérez la bouteille de gaz dans la soupape du régulateur et serrez fermement à la main (voir l'illustration 1b).
3. Assurez-vous que le raccord ne présente pas de fuite en suivant les étapes de la procédure de détection d'une fuite.

Illustration 1a

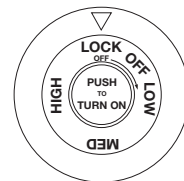
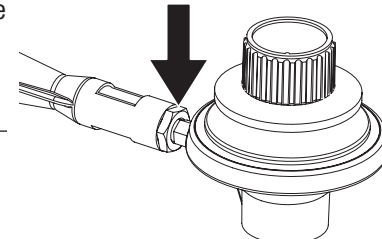


Illustration 1b



Illustration 2

**Détection d'une fuite potentielle****Raccordement du brûleur**

1. Assurez-vous que la soupape de commande est correctement raccordée au brûleur (voir l'illustration 2).
Si votre appareil a été assemblé pour vous par quelqu'un d'autre, vérifiez visuellement le raccord entre le brûleur et la soupape de commande.

⚠ AVERTISSEMENT : Si vous ne vérifiez pas ce raccord et ne respectez pas ces instructions, vous risquez de provoquer un incendie ou une explosion pouvant entraîner des dommages corporels, des blessures graves ou un décès.

2. Si le tube du brûleur ne repose pas au ras d'une soupape de commande, veuillez contacter notre service à la clientèle au 1 800 762-1142.

Illustration 3

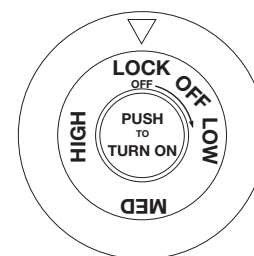
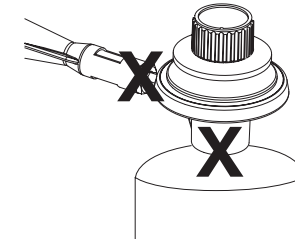


Illustration 4

**Raccordement du régulateur et de la bouteille de propane**

1. Préparez une solution d'environ 80 ml destinée à détecter les fuites en mélangeant une mesure de liquide à vaisselle pour trois mesures d'eau.
2. Vérifiez que le bouton de la soupape de commande du barbecue est sur « Off » (arrêt). Reportez-vous à l'illustration 3.
3. À l'aide d'une cuillère ou d'une gourde, versez quelques gouttes de la solution sur le raccord de la soupape de bouteille de propane et du régulateur. Reportez-vous à l'illustration 4.
4. Vérifiez si des bulles apparaissent au niveau du raccord.
 - a. Si le raccord NE présente PAS de bulles, le raccord est étanche.
 - b. Si des bulles apparaissent, vous venez de découvrir une fuite.
 1. Desserrez le raccord, puis resserrez-le en vous assurant qu'il est étanche.
 2. Vérifiez de nouveau que le raccord est étanche en utilisant la solution.
 - a. Si des bulles persistent après plusieurs tentatives, débranchez la source de propane et appelez notre service à la clientèle au 1 800 762-1142.

Illustration 5

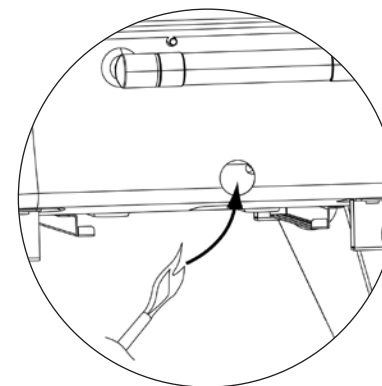
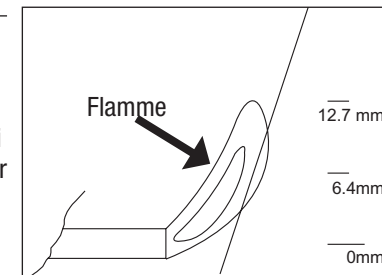


Illustration 6

**Utilisation du barbecue pour la première fois**

1. Assurez-vous d'avoir retiré toutes les étiquettes ainsi que tout le matériau d'emballage et le film protecteur du barbecue.
2. Avant de cuire quoi que ce soit sur le barbecue pour la première fois, faites-le fonctionner pendant environ 15 minutes avec le couvercle fermé et le bouton de réglage du gaz sur « High » (maximum). La chaleur « nettoiera » les pièces internes et dissipera les odeurs.

Allumage du barbecue

⚠ Attention : Assurez-vous que la zone autour du barbecue demeure dégagée et dépourvue de matières combustibles, d'essence et d'autres liquides et vapeurs inflammables.

Fonctionnement (suite)

▲ Attention : Ne pas bloquer le débit d'air de combustion et de ventilation.

▲ Attention : Assurez-vous que les tubes de venturi et des brûleurs ne sont pas bouchés par des insectes et leurs nids et nettoyez-les au besoin. Si la tubulure du brûleur est bouchée, cela risque de provoquer un feu sous le barbecue.

1. Assurez-vous d'avoir retiré toutes les étiquettes ainsi que tout le matériau d'emballage et le film protecteur du barbecue
2. Ouvrez le couvercle du barbecue. **Toute tentative d'allumage du brûleur avec le couvercle fermé peut provoquer une explosion!**
3. Assurez-vous qu'il n'existe aucune obstruction et que rien ne gêne le débit d'air vers les brûleurs. Des araignées et autres insectes peuvent y élire domicile et boucher le brûleur et le tube venturi au niveau de l'orifice.
- ▲ Si la tubulure du brûleur est bouchée, cela risque de provoquer un feu en dessous de l'appareil.**
4. Assurez-vous que le bouton de la soupape de commande est réglé sur « Lock Off » (fermé et verrouillé). Reportez-vous à l'illustration 3.
5. Réglez le bouton de réglage sur « HIGH » (maximum).
6. Appuyez plusieurs fois sur le bouton de l'allumeur pour allumer le brûleur.
7. Si l'allumage ne se produit pas dans les 5 secondes suivantes, tournez le bouton de réglage du brûleur à la position « OFF » (arrêt); attendez 5 minutes et reprenez les instructions d'allumage depuis le début.
8. Si l'allumeur ne parvient pas à allumer le brûleur, fixez une allumette à la tige d'allumage fournie afin d'allumer manuellement le brûleur. Accédez au brûleur par le trou situé dans le fond du barbecue comme il est illustré (voir l'illustration 5).
9. Tournez le bouton de réglage du barbecue à la position « LOW » (minimum) et approchez la flamme de l'allumette sur le côté du brûleur.

Remarque importante : Veillez à toujours utiliser la tige d'allumage lorsque vous allumez les brûleurs avec une allumette.

10. Après avoir allumé le brûleur, veuillez observer la flamme et vérifiez que tous les orifices du brûleur sont allumés et que la hauteur de la flamme correspond à celle de l'illustration (voir l'illustration 6).

▲ Attention : Si la flamme d'un brûleur s'éteint pendant le processus, tournez immédiatement les boutons de commande du barbecue à la position d'arrêt, fermez le robinet de la bouteille de gaz et ouvrez le couvercle pendant environ 5 minutes pour laisser s'échapper le gaz avant de procéder de nouveau à l'allumage.

Fermeture du barbecue

1. Réglez le bouton de réglage sur « LOCK OFF » (fermé et verrouillé).
2. Retirez la bouteille de propane et remisez-la comme il se doit.

Cuisson

1. Ouvrez le couvercle et allumez le brûleur en suivant les instructions d'allumage.
2. Fermez le couvercle et préchauffez le barbecue en réglant le bouton de réglage sur « HIGH » (maximum).
3. Portez des gants de protection et utilisez des pinces de cuisine pour disposer les aliments sur les grilles de cuisson, au-dessus des brûleurs allumés.
4. Réglez les boutons sur la température désirée.
5. Avec le couvercle ouvert ou fermé, laissez la nourriture cuire jusqu'à ce que la température interne désirée des aliments soit atteinte.
6. Éteignez le barbecue en réglant le bouton de réglage sur « LOCK OFF » (fermé et verrouillé). Retirez la bouteille de propane et remisez-la comme il se doit.

Quelques conseils pour obtenir de meilleures grillades et assurer la durabilité du barbecue

1. Pour obtenir des conseils sur la cuisson des aliments, consultez le site internet suivant : http://www.fsis.usda.gov/Fact_Sheets/Barbecue_Food_Safety/.
2. Utilisez la grille de cuisson supérieure (grille de maintien au chaud) afin de maintenir au chaud les aliments que vous venez de cuire, griller du pain ou cuire des aliments délicats dans des pochettes de papier d'aluminium.
3. Pour éviter que les aliments ne collent aux grilles, vaporisez ou appliquez une couche d'huile végétale sur les surfaces de cuisson avant d'allumer le barbecue.
4. Pour réduire les feux de graisse, veillez à ce que le barbecue demeure propre, utilisez de la viande mince (découpez le gras) et évitez de cuire à de très hautes températures.
5. Placez les aliments délicats tels que le poisson et les légumes dans du papier d'aluminium et placez-les sur la grille de cuisson supérieure (grille de maintien au chaud).
6. Pour éviter que les aliments ne perdent leur jus, utilisez des pinces de cuisine ou des spatules au lieu de fourchettes et retournez les aliments une seule fois pendant la cuisson.
7. Rehaussez le goût des aliments en les plaçant dans des pochettes d'aluminium ou dans des fumoirs avec des copeaux de bois. Suivez les instructions du fabricant des copeaux de bois.
8. Nettoyez toutes les grilles après chaque utilisation au moyen d'une brosse de barbecue de bonne qualité conçue pour le type de matériau de votre grille. Portez des gants de protection et retirez doucement les résidus demeurés sur les grilles pendant qu'elles sont encore chaudes.

9. Laissez le barbecue refroidir après chaque utilisation. Ensuite, protégez les grilles propres en les enduisant d'une légère couche d'huile de cuisine, videz le bac à graisse (si fourni), essuyez les surfaces extérieures en utilisant un produit de nettoyage de cuisine et remisez le barbecue dans un endroit propre et sec.

10. Consultez les sites Internet tels que www.bluerhino.com, regardez les émissions consacrées à la cuisson au barbecue ou achetez des livres de cuisine sur le même thème pour obtenir des conseils utiles supplémentaires.

Nettoyage et entretien

▲ Attention :

- 1. Tout nettoyage ou entretien doit être effectué lorsque le barbecue est froid et après avoir fermé et débranché l'alimentation en gaz.**
- 2. NE placez AUCUNE pièce du barbecue dans un four autonettoyant. La chaleur extrême endommagera le fini du barbecue.**

Avis

- 1. N'utilisez pas de produits de nettoyage abrasifs, car ils risquent d'endommager le barbecue.**
- 2. N'utilisez jamais de produit à nettoyer les fours sur aucune pièce du barbecue.**
- 3. Ne placez aucune pièce du barbecue dans un four autonettoyant. La chaleur extrême endommagera le fini du barbecue.**
- 4. Ce barbecue doit être complètement nettoyé et inspecté régulièrement.**

Nettoyage des surfaces du barbecue

1. Essuyez les surfaces du barbecue avec un liquide à vaisselle doux ou du bicarbonate de soude.
2. Pour les tâches coriaces, utilisez un dégraissant au citron et une brosse de nettoyage en nylon.
3. Rincez à l'eau.

Nettoyage du brûleur

1. Fermez l'alimentation en gaz au niveau du bouton de réglage et retirez la bouteille de propane.
2. Retirez le régulateur et le chapeau de protection anti-vent.
3. Retirez les grilles de cuisson et la plaque chauffante.
4. Déconnectez le fil de l'allumeur.
5. Retirez le brûleur.
6. Nettoyez l'entrée du brûleur avec un petit goupillon ou de l'air comprimé.
7. Nettoyez les restes de nourriture et la saleté de la surface du brûleur.
8. Nettoyez les orifices bouchés avec un fil métallique (un trombone ouvert, par exemple).
9. Vérifiez le brûleur afin de vous assurer qu'il ne présente pas de détériorations (fissures ou trous). En cas de détériorations, remplacez-le par un brûleur neuf.
10. Réinstallez le brûleur. Raccordez de nouveau l'allumeur, remettez en place le chapeau de protection anti-vent et raccordez le régulateur.
11. Remettez en place la plaque chauffante et la grille de cuisson.
12. Effectuez le test d'étanchéité afin de vous assurer que le raccord ne présente pas de fuite.

Enregistrement de l'appareil

Pour bénéficier plus rapidement du service offert par la garantie, veuillez enregistrer cet article immédiatement sur le site Internet www.bluerhino.com ou composez le 1 800 762-1142.

Garantie limitée

La société Blue Rhino Global Sourcing, Inc (« le fabricant ») garantit cet article à l'acheteur initial, et à aucune autre personne, contre tout défaut de matériaux et de fabrication pendant un (1) an à partir de la date d'achat si cet article est assemblé et utilisé conformément aux instructions fournies. Le fabricant vous demandera sans doute une preuve raisonnable d'achat datée, veuillez donc conserver votre facture ou votre reçu. Cette garantie se limite à la réparation ou au remplacement de pièces ayant été déterminées défectueuses par le fabricant lors de conditions d'utilisation et d'entretien normales. Avant de renvoyer une pièce, communiquez avec le service à la clientèle du fabricant. Si le fabricant confirme le défaut de fabrication et approuve la réclamation, il remplacera gratuitement lesdites pièces. Si vous devez renvoyer des pièces défectueuses, elles devront être expédiées port payé. Le fabricant s'engage à renvoyer les pièces à l'acheteur port payé.

Cette garantie limitée ne couvre pas les pannes et dysfonctionnements survenant à la suite de tout accident, mauvais usage, entretien incorrect de cet article, ou toute modification, mauvaise installation ou négligence comme il a été établi dans ce manuel. De plus, cette garantie limitée ne couvre pas les dommages au fini, à savoir les rayures, les bosses, les traces de décoloration, de rouille ou les dommages résultant des intempéries après achat.

Cette garantie remplace toute autre garantie expresse. Le fabricant désavoue toute garantie couvrant des produits ayant été achetés auprès de revendeurs autres que les revendeurs et distributeurs agréés y compris toute garantie de qualité marchande et de conformité à un usage particulier. LE FABRICANT DÉCLINE ÉGALEMENT TOUTE GARANTIE IMPLICITE Y COMPRIS TOUTE GARANTIE DE COMMERCIALISABILITÉ ET D'ADAPTATION À UN USAGE PARTICULIER. LE FABRICANT NE POURRA ÊTRE TENU RESPONSABLE PAR L'ACHETEUR OU UN TIERS POUR TOUS DÉGÂTS ET DOMMAGES PARTICULIERS, INDIRECTS, PUNITIFS OU CONSÉCUTIFS. De plus, le fabricant désavoue toute garantie expresse ou implicite et décline toute responsabilité en cas de défaut de fabrication causé par un tiers.

Cette garantie limitée octroie des droits spécifiques à l'acheteur reconnus par la loi et il est possible que ce dernier en possède d'autres selon l'État ou la province où il habite. Certaines juridictions ne permettent pas l'exclusion ni la limitation de dommages consécutifs ou accessoires ni la limitation en temps d'une garantie et ces limitations peuvent ne pas être applicables à tous.

Le fabricant ne permet en aucun cas à une personne ou à une entreprise de s'attribuer les responsabilités et les obligations liées à la vente, à l'installation, à l'utilisation, au retrait, au retour ou au remplacement de cet article, et aucune de ces représentations n'engage la responsabilité du fabricant.

Blue Rhino Sourcing, Inc
Winston-Salem, North Carolina 27105, États-Unis
1 800 762-1142

Guide de dépannage

Problème	Cause possible	Prévention/Mesure corrective
Le brûleur ne s'allume pas avec une allumette.	Absence de gaz.	Vérifiez si la bouteille de propane est vide.
	Obstruction du débit du gaz.	Nettoyez le brûleur.
	Toiles d'araignées ou nids d'insectes dans le tube du brûleur.	Nettoyez le tube du brûleur.
	Les orifices du brûleur sont bouchés ou bloqués.	Nettoyez les orifices du brûleur.
Flamme irrégulière, flamme ne se répartissant pas sur toute la longueur du brûleur.	Les orifices du brûleur sont bouchés ou bloqués.	Nettoyez les orifices du brûleur.
La flamme est jaune ou orange.	Le nouveau brûleur peut contenir des résidus d'huile.	Laissez le barbecue fonctionner pendant 15 minutes avec le couvercle fermé.
	Toiles d'araignées ou nids d'insectes dans le tube du brûleur.	Nettoyez le tube du brûleur.
	Restes de nourriture, de graisse ou d'assaisonnement sur le brûleur.	Nettoyez le brûleur.
La flamme s'éteint.	Vent fort ou bourrasques.	Présentez l'avant du barbecue face au vent ou augmentez la hauteur de la flamme.
	La bouteille de propane est presque vide.	Remplacez la bouteille de propane.
Des montées de flammes jaillissent brusquement.	Accumulation de graisse.	Nettoyez le barbecue.
	Le viande contient beaucoup de gras.	Enlevez une partie du gras de la viande avant de la griller.
	La température de cuisson est trop élevée.	Réglez à la baisse la température.
Feu de graisse persistant.	Graisse piégée par accumulation de nourriture autour des brûleurs.	Tournez les boutons sur « LOCK OFF » (Fermé et verrouillé). Laissez le couvercle fermé et laissez la graisse se consumer. Après que le barbecue s'est refroidi, retirez et nettoyez toutes les pièces.
Retour de flammes (feu dans le ou les tubes du brûleur)	Le brûleur et/ou son (ou ses) tube(s) sont bouché(s).	Nettoyez le brûleur et/ou le (ou les) tube(s) du brûleur.
L'intérieur du couvercle ou la grille s'écaille comme de la peinture.	L'accumulation de graisse cuite s'est transformée en carbone et s'écaille.	Nettoyez rigoureusement le couvercle ou la grille.
Si vous avez besoin d'aide, consultez notre site Internet à www.bluerhino.com, ou composez le 1 800 762-1142 pour obtenir une assistance immédiate.		

Parrilla a gas propano para exteriores

Modelo No. GBT9080L



ADVERTENCIA

PARA SU SEGURIDAD:

Para uso en exteriores solamente
(fuera de cualquier espacio cerrado)



ADVERTENCIA

PARA SU SEGURIDAD:

1. La instalación, ajuste, alteración, reparación o mantenimiento inadecuados pueden ocasionar lesiones o daños a la propiedad.
2. Lea con detención las instrucciones de instalación, operación y mantenimiento antes de instalar o reparar este equipo.
3. No seguir estas instrucciones podría resultar en incendio o explosión, lo que podría causar daños a la propiedad, lesiones personales o muerte.

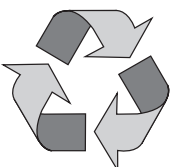
Guarde estas instrucciones para consultas futuras. Si está ensamblando esta unidad para otra persona, entréguele este manual para que lo lea y lo conserve para consultas futuras.

Índice

Medidas de seguridad importantes	Página 2
Vista en despiece y aditamentos	3
Instrucciones de ensamblado	4
Instrucciones de funcionamiento	7
Búsqueda de fugas	7
Primer uso	7
Encendido	7
Apagado	8
Cocinar	8
Consejos	8
Limpieza y cuidado	8
Registro del producto	8
Garantía limitada	9
Solución de problemas	9

El uso y la instalación deben cumplir con los códigos locales o, en su ausencia, con el *Código nacional de gases combustibles, ANSI Z223.1/NFPA 54, el Código de instalación de gas propano y natural, CSA B149.1, o el Código de manejo y almacenamiento de propano, B149.2, o la Norma para vehículos recreacionales, ANSI A 119.2/NFPA serie 1192 y CSA Z240 RV, Código de vehículos recreacionales*, si corresponde.

Propuesta 65 de California: La combustión del propano desprende sustancias químicas reconocidas por el estado de California como causantes de cáncer y defectos congénitos u otros daños en el aparato reproductivo.



Hecho 70% de bagazo
(Subproducto de la pulpa de caña de azúcar ambientalmente amigable)



Fabricado en China por:
Blue Rhino Global Sourcing, Inc
Winston-Salem, NC 27104 EE.UU.
1.800.762.1142, www.bluerhino.com

© 2008 Blue Rhino Global Sourcing, Inc. Todos los derechos reservados.
Blue Rhino® es una marca registrada de Ferrellgas, L.P. Todos los derechos reservados

PELIGRO

Si siente olor a gas:

1. Cierre el suministro de gas hacia el electrodoméstico.
2. Apague cualquier llama.
3. Abra la tapa.
4. Si el olor persiste, manténgase alejado del electrodoméstico y llame de inmediato a su proveedor de gas o al departamento de bomberos.

ADVERTENCIA**PARA SU SEGURIDAD**

1. No almacene ni utilice gasolina ni otros líquidos o vapores inflamables cerca de éste ni de ningún otro electrodoméstico.
2. No deben almacenarse tanques de gas propano que no estén conectados y en uso cerca de éste ni de ningún otro electrodoméstico.

▲ **PELIGRO:** no seguir los avisos de peligro, advertencias y precauciones de este manual podría resultar en lesiones personales graves o la muerte, o incendios o explosiones que causen daños a la propiedad.

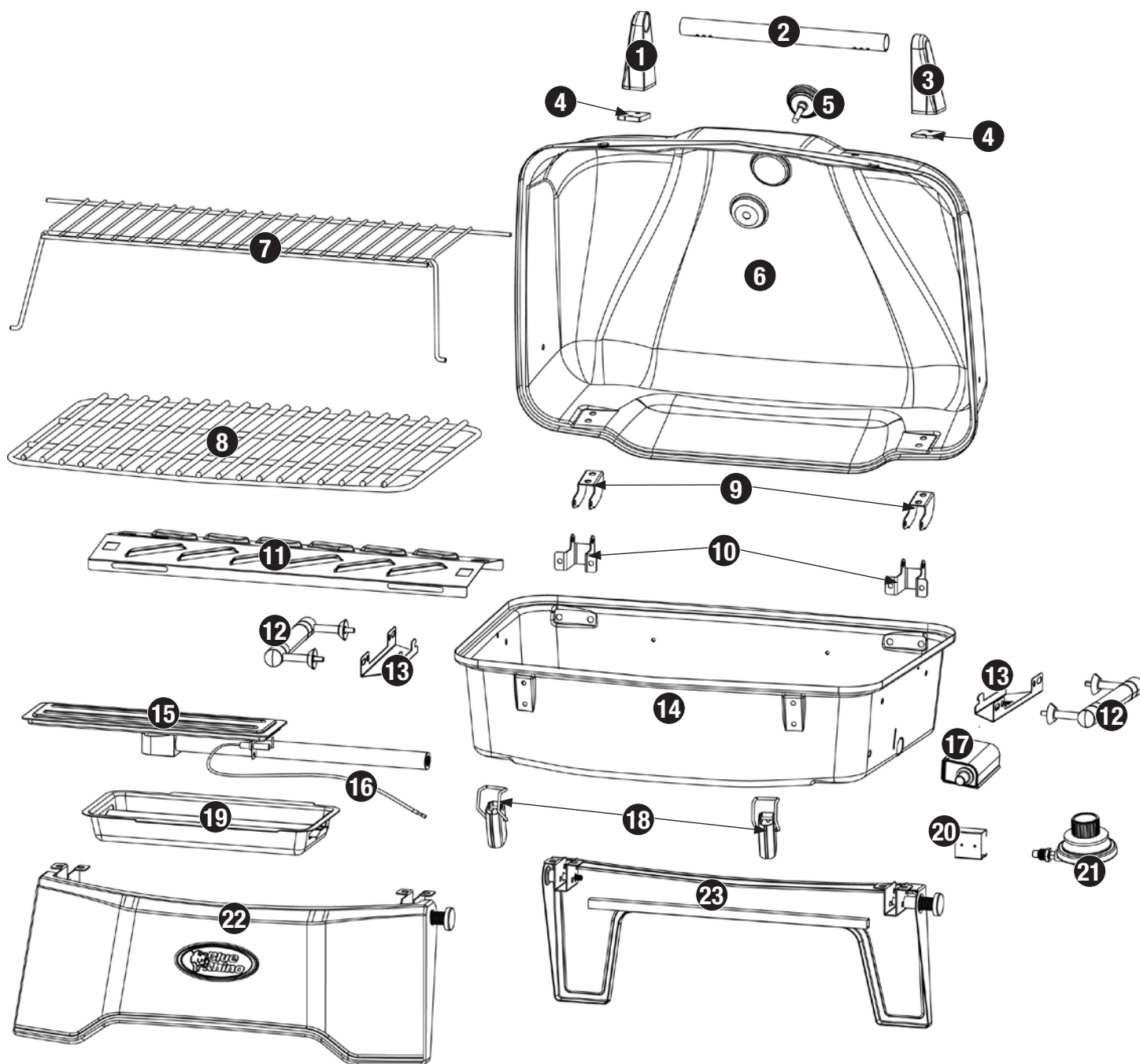
▲ ADVERTENCIA:

- ▲ Esta parrilla es sólo para uso en exteriores y no se debe usar en edificios, garajes u otras áreas cerradas
- ▲ Esta parrilla NO es para el uso comercial.
- ▲ Ésta no es una parrilla de mesa. Por lo tanto, no use esta parrilla sobre ningún tipo superficie de mesa.
- ▲ Esta parrilla sólo se debe usar con gas propano líquido. La conversión o el uso de gas natural en esta parrilla a gas propano es peligrosa y anulará la garantía.
- ▲ Características del gas propano:
 - a. El gas propano es inflamable y peligroso si se manipula de manera incorrecta. Tenga en cuenta sus características antes de usar cualquier producto que utilice gas propano.
 - b. El gas propano es explosivo bajo presión, más denso que el aire y se deposita y junta en áreas bajas.
 - c. El gas propano en su estado natural no tiene olor. Para su seguridad, se le ha agregado un odorizante que huele como una col en mal estado.
 - d. El contacto con el gas propano puede causar quemaduras por frío en la piel.
- ▲ Necesita un tanque de gas propano para usarse. Sólo se pueden usar tanques marcados con "propano".
- ▲ El tanque de suministro de gas propano líquido debe estar fabricado y marcado según *las especificaciones para este tipo de cilindros del Departamento de transporte de EE.UU. (DOT) o la Ley Nacional de Canadá CAN/CSA-B339, Cilindro, esferas y tubos para el transporte de mercancías peligrosas; y la Comisión.*
- ▲ El tanque de gas propano líquido se debe adaptar para la extracción de vapores.
- ▲ Los tanques de gas propano abollados u oxidados pueden ser peligrosos y su proveedor de gas propano debe revisarlos antes de su uso.
- ▲ No debe dejar caer el tanque de gas propano ni manipularlo bruscamente.
- ▲ Los tanques de gas propano líquido se deben almacenar en el exterior, fuera del alcance de los niños, y no deben almacenarse en un edificio, garaje o cualquier otra área cerrada. El tanque nunca se debe almacenar en lugares en que las temperaturas puedan superar los 51 °C.
- ▲ No intente conectar esta parrilla al sistema de gas propano autocontenido de un remolque para camping, casa rodante o casa.
- ▲ No almacene un tanque de gas propano de repuesto bajo o cerca de este equipo.
- ▲ El consumo de alcohol o medicamentos recetados o sin receta puede disminuir la capacidad del consumidor para ensamblar o usar este electrodoméstico de manera segura y correcta.
- ▲ Nunca utilice carbón, líquido para encendedores, rocas de lava, gasolina, queroseno o alcohol con este producto.
- ▲ Se han buscado fugas en todas las conexiones hechas en la fábrica de la parrilla. Vuelva a revisar todas las conexiones, ya que el movimiento en el transporte puede soltar las conexiones.
- ▲ Revise si hay fugas incluso si otra persona ensambló la unidad para usted.
- ▲ No la use si existe una fuga de gas. Las fugas de gas podrían provocar un incendio o una explosión.
- ▲ Debe seguir todos los procedimientos de búsqueda de fugas antes del uso. Para evitar el riesgo de incendio o explosión al revisar una fuga:
 - a. Siempre lleve a cabo la prueba de fuga antes de encender la parrilla o cada vez que conecte el tanque para usar el aparato.
 - b. No use ni permita que haya otras fuentes de ignición en el área mientras realiza una prueba de fuga. No encienda cigarrillos.
 - c. Realice la prueba de fuga en exteriores, en un área bien ventilada.
 - d. No utilice fósforos, encendedores ni llamas para detectar la existencia de fugas.
 - e. No use la parrilla hasta que haya corregido todas las fugas.Si no puede detener una fuga, desconecte el suministro de gas propano. Llame a nuestro servicio al cliente, a un técnico de electrodomésticos a gas o a su proveedor local de gas propano.
- ▲ No utilice la unidad en un entorno explosivo. Mantenga el área de la parrilla limpia y libre de materiales combustibles, gasolina y otros vapores y líquidos inflamables.
- ▲ Mantenga todos los artículos y superficies combustibles a una distancia mínima de 53 cm de la parrilla en todo momento. NO use esta parrilla ni ningún otro producto a gas bajo construcciones o cerca de construcciones combustibles sin protección.
- ▲ Es esencial que mantenga limpios el compartimiento de la válvula, los quemadores y los pasajes de circulación de aire de la parrilla. Inspeccione la parrilla antes de cada uso.
- ▲ No altere la parrilla de ninguna manera. Cualquier alteración anulará la garantía.
- ▲ No use la parrilla a menos que esté COMPLETAMENTE ensamblada y todas las piezas estén ajustadas y apretadas con firmeza.
- ▲ Esta parrilla se debe limpiar e inspeccionar cuidadosamente de forma regular.
- ▲ Use sólo el regulador proporcionado. El reemplazo del regulador debe estar especificado por el fabricante.
- ▲ Use solamente piezas autorizadas por la fábrica Blue Rhino Global Sourcing, Inc. El uso de piezas que no estén autorizadas por la fábrica puede ser peligroso. Además, si lo hace anulará la garantía.
- ▲ No use este electrodoméstico sin antes leer las "Instrucciones de funcionamiento" en este manual.
- ▲ Para evitar quemaduras, no toque las piezas metálicas de la parrilla hasta que se hayan enfriado completamente (espere unos 45 minutos), a menos que utilice artículos de protección (almohadillas, guantes, manoplas para horno, etc.).
- ▲ No la instale ni utilice en botes ni en vehículos recreativos.
- ▲ Cuando cocine, tenga a la mano materiales para la extinción del fuego. En caso de que se produzca un incendio por el aceite o la grasa, no intente apagarlo con agua. Use un extintor de incendios a base de polvo químico seco tipo BC o apáguelo con tierra, arena o bicarbonato.
- ▲ No use la parrilla si hay viento fuerte.
- ▲ Nunca se incline sobre la parrilla al encenderla.
- ▲ No deje la parrilla encendida sin supervisión. Mantenga a los niños y las mascotas alejados de la parrilla en todo momento.
- ▲ No intente mover la parrilla mientras la está usando. Deje que la parrilla se enfríe (aproximadamente 45 minutos) antes de moverla o almacenarla.
- ▲ Puede almacenar la parrilla en interiores sólo si desconecta y retira el tanque de la parrilla y lo almacena apropiadamente en exteriores.
- ▲ Usando guantes protectores, abra la tapa de la parrilla lentamente y con cuidado, ya que el calor y el vapor atrapados dentro de la parrilla pueden causar quemaduras graves.
- ▲ No intente desconectar el regulador de gas del tanque ni de ninguna otra conexión de gas mientras use la parrilla.
- ▲ Desconecte el cilindro cuando no lo esté usando.
- ▲ Siempre use la parrilla sobre una superficie sólida, nivelada y no combustible. Una superficie de asfalto puede no ser apta para este propósito.
- ▲ No la use directamente sobre plataformas de madera.
- ▲ Mantenga todos los cables eléctricos lejos de la parrilla caliente.
- ▲ NO utilice la parrilla para la cocción en interiores o para calefacción. Los gases TÓXICOS pueden acumularse y causar asfixia.
- ▲ Después de un tiempo sin haberla usado o que haya estado almacenada, revise si hay fugas u obstrucciones en los quemadores.
- ▲ Si no abre la tapa mientras enciende el quemador de la parrilla o no espera 5 minutos para que el gas se disperse si la parrilla no enciende, podría causar una llamarada explosiva.
- ▲ Si la parrilla no se está utilizando, se debe cerrar el gas desde el tanque de suministro.
- ▲ Nunca use la parrilla sin instalar el plato calentador.
- ▲ Siempre use un termómetro para carne para verificar si la comida se está cocinando a una temperatura segura.
- ▲ Use guantes protectores cuando ensamble este producto.
- ▲ No una las piezas a la fuerza ya que podría provocar heridas personales o daños al producto.
- ▲ Nunca cubra completamente el área de cocción con papel de aluminio.
- ▲ Si no sigue las instrucciones anteriores al pie de la letra, podría ocasionar lesiones graves, muerte o daños materiales.

Llame al 1-800-762-1142 para obtener ayuda. No vuelva al lugar de compra.

Lista de piezas		
1	Soporte izquierdo de la manija de la tapa	55-09-099
2	Barra de la manija de la tapa	55-09-473
3	Soporte derecho de la manija de la tapa	55-09-192
4	Arandela de la manija de la tapa (2)	55-09-478
5	Ensamblado de temperatura	55-09-493
6	Tapa	55-09-472
7	Rejilla calentadora	55-15-256
8	Rejilla para cocción	55-09-480
9	Bisagra superior (2)	55-09-475
10	Bisagra inferior (2)	55-15-329
11	Plato calentador	55-09-329
12	Manija lateral (2)	55-14-983
13	Soporte del plato calentador (2)	55-09-330
14	Fuente inferior	55-09-459
15	Quemador	55-15-225
16	Cable del encendedor	55-09-471
17	Ensamblado del encendedor	55-09-492
18	Seguro (2)	55-08-331
19	Bandeja para la grasa	55-15-230
20	Cubierta para el viento	55-07-683
21	Regulador/Válvula de control	55-15-248
22	Pata delantera	55-09-476
23	Pata posterior	55-09-477

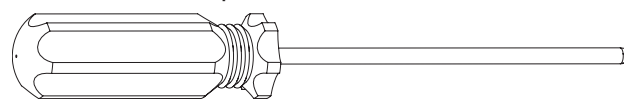
Vista en despiece



Aditamentos			
A	Tornillo	Tornillo Phillips de cabeza segmentada recubierto en zinc de M4x12	4 pzs
B	Tornillo	Tornillo Phillips de cabeza segmentada recubierto en zinc de M5x12	8 pzs
C	Tornillo	Tornillo Phillips de cabeza segmentada recubierto en zinc de M6x8	1 pzs
D	Tornillo	Tornillo Phillips de cabeza segmentada recubierto en zinc de M6x12	13 pzs
E	Tuerca mariposa	M4 de acero	4 pzs
F	Tuerca mariposa	M5 de acero	12 pzs
G	Arandela	ø5.2 Recubierto en zinc	4 pzs
H	Arandela	ø6.4 Recubierto en zinc	5 pzs
I	Arandela	ø6.4 Resistente al calor	9 pzs
J	Arandela de seguridad	ø6.4 Recubierto en zinc	1 pz
K	Pasador	ø5 x 32 Recubierto en zinc	2 pzs
L	Pasador de chaveta	ø1.2 x 30 de acero	2 pzs

Herramientas necesarias para el ensamblado (incluidas)

Destornillador Phillips #2



Instrucciones de ensamblado

1 NO DEVUELVA ESTE PRODUCTO A LA TIENDA.

Para obtener ayuda, llame gratis al **1.800.762.1142**. Tenga a mano el manual de usuario y el número de serie para referencias.

Para un ensamblado más fácil:

- Para evitar perder algún componente o aditamento pequeño, ensamble su producto en una superficie dura y nivelada que no tenga grietas o aberturas.
- Limpie un área del tamaño adecuado para disponer todos los componentes y aditamentos.
- Si corresponde, apriete todas las conexiones de los aditamentos con la mano primero. Cuando haya completado este paso, vuelva al principio y apriete todos los aditamentos firme y completamente.
- Siga todos los pasos para ensamblar adecuadamente su producto.

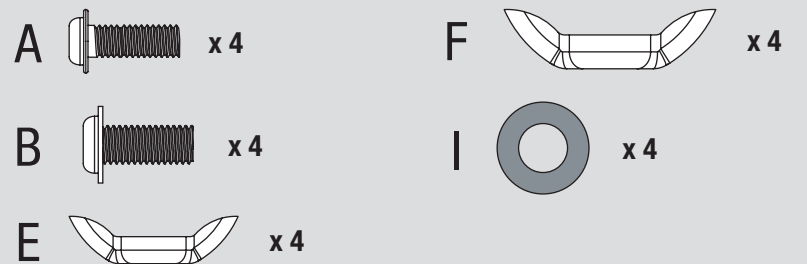
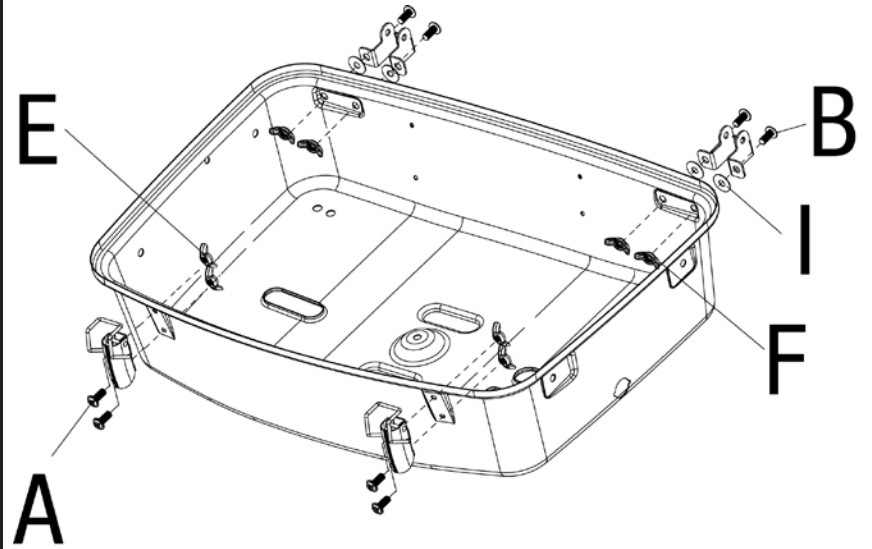
Para completar el ensamblado, necesitará:

- (1) Solución para detección de fugas (las instrucciones acerca de cómo elaborar la solución están incluidas en la sección "Instrucciones de operación".
- (1) Tanque de gas propano de 0,42 l ó (1) 0,49 l.

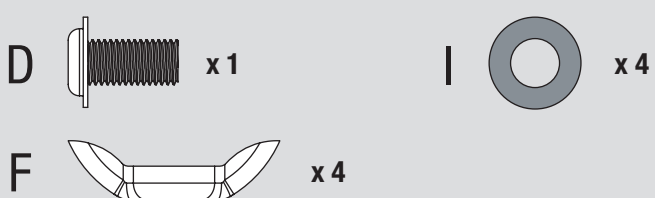
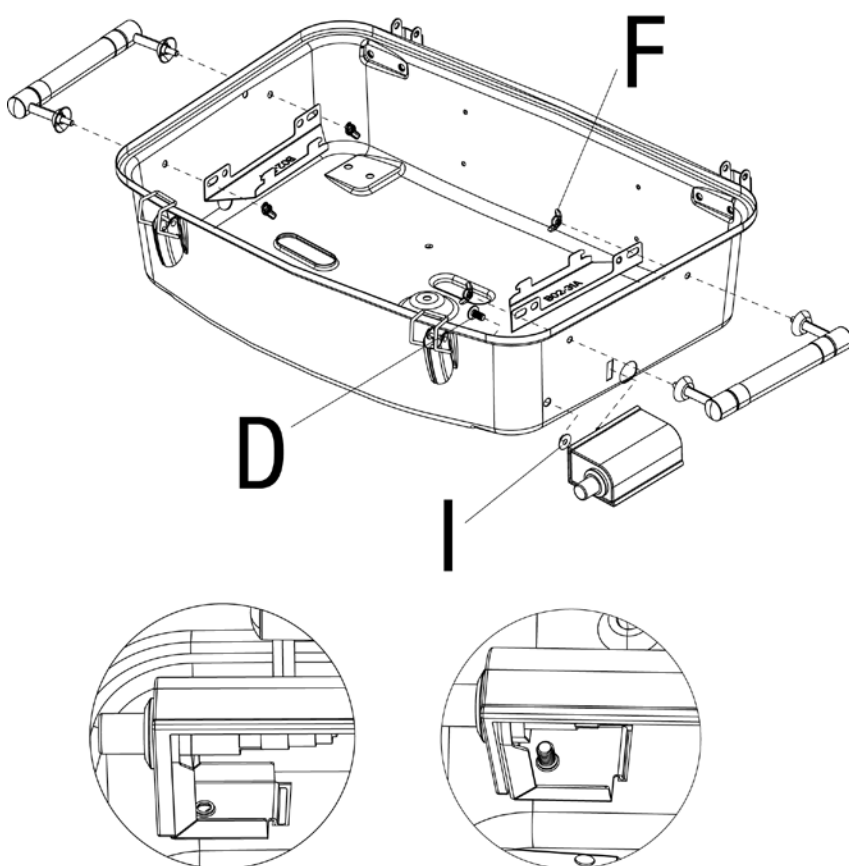
Nota: debe seguir todos los pasos para ensamblar adecuadamente la parrilla.

Ensamblado normal: aproximadamente 30 minutos.

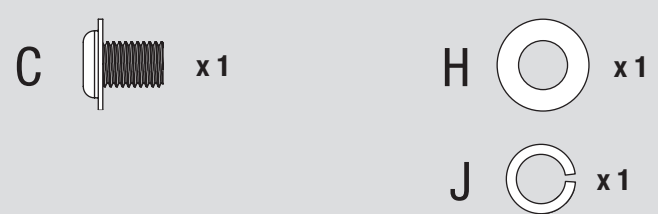
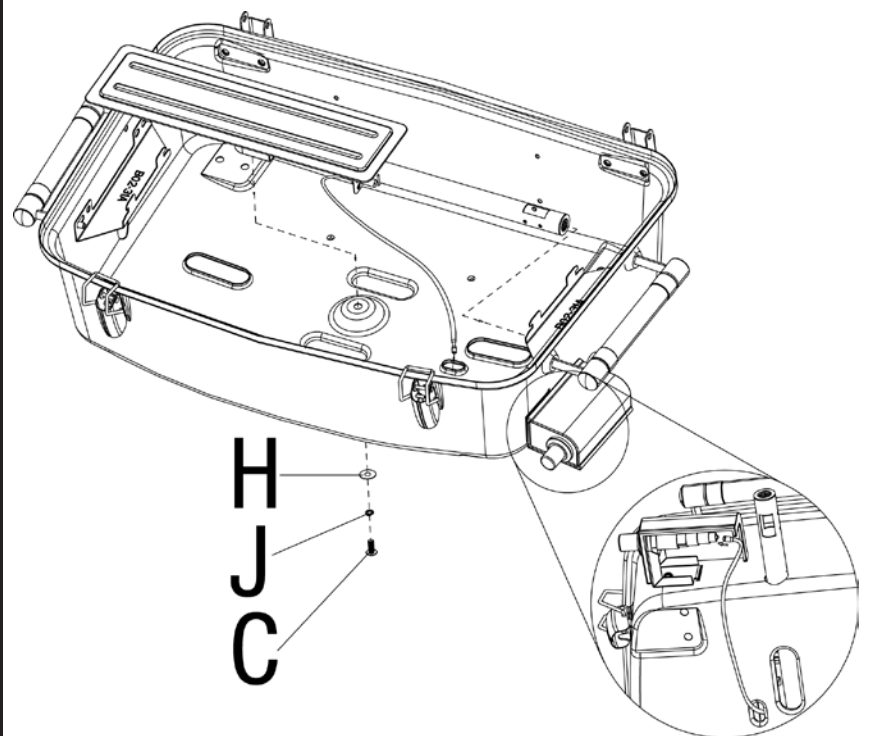
2 Instale las bisagras inferiores y los seguros



3 Instale la manija lateral, los soportes del plato calentador y el ensamblado del encendedor



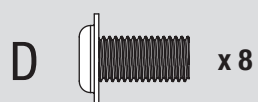
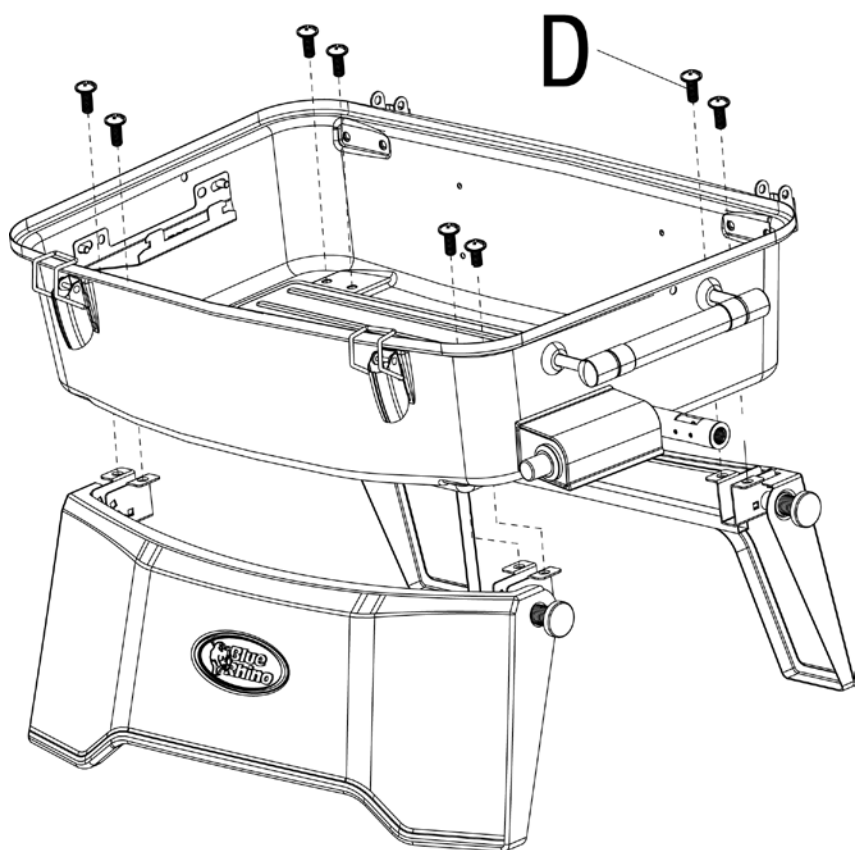
4 Instale el alambre del quemador y del encendedor



Llame al 1-800-762-1142 para obtener ayuda. No vuelva al lugar de compra.

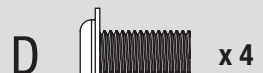
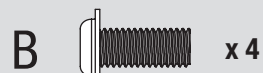
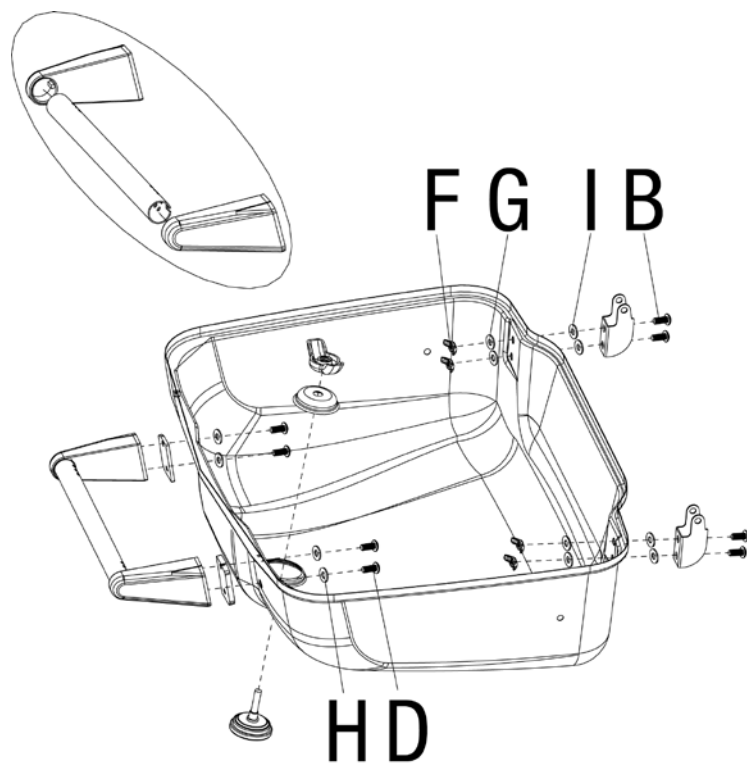
5

Coloque las patas



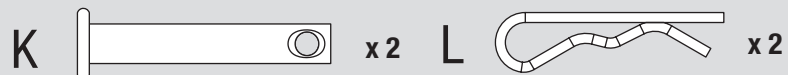
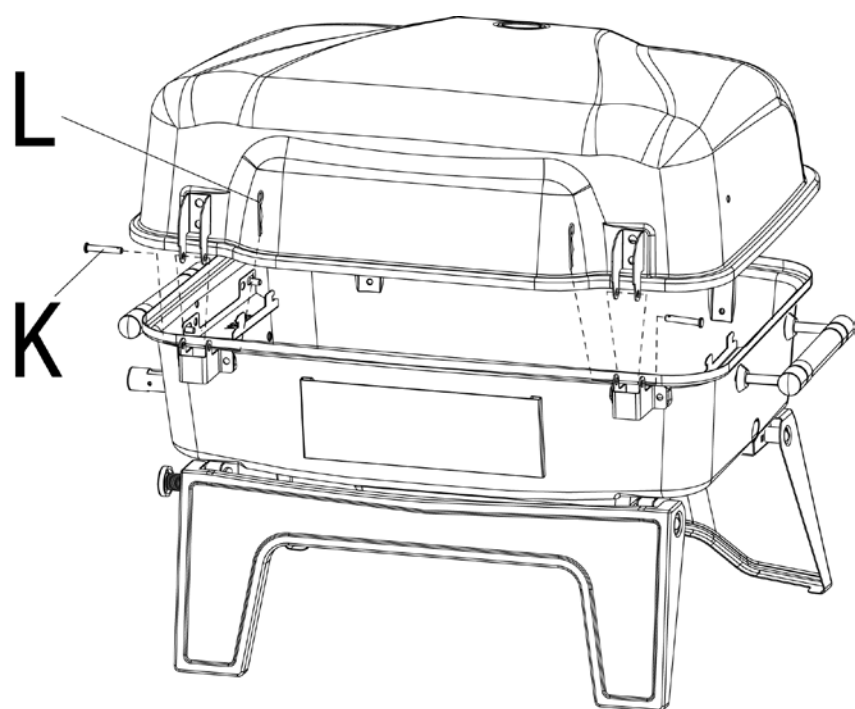
6

Instale la manija de la tapa y las bisagras superiores y el medidor de temperatura



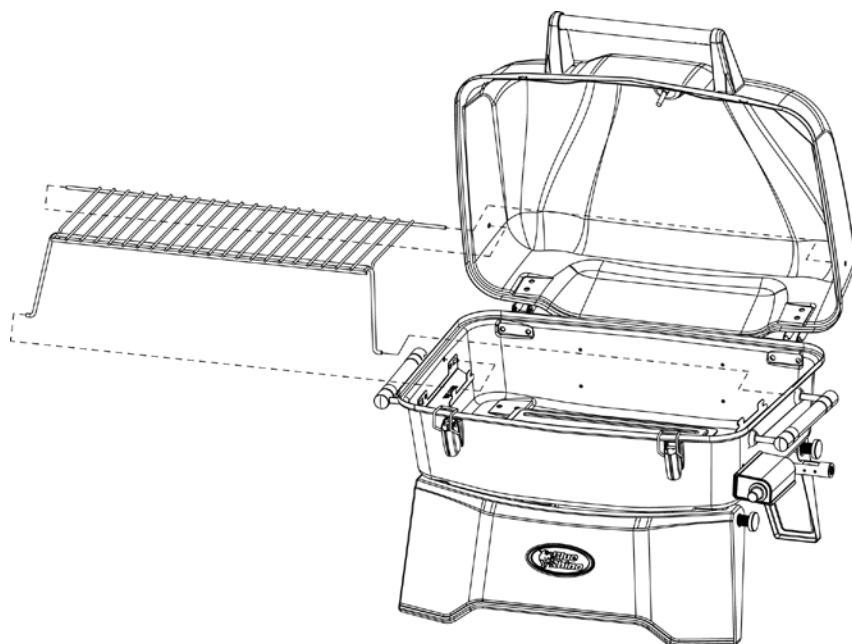
7

Coloque la tapa



8

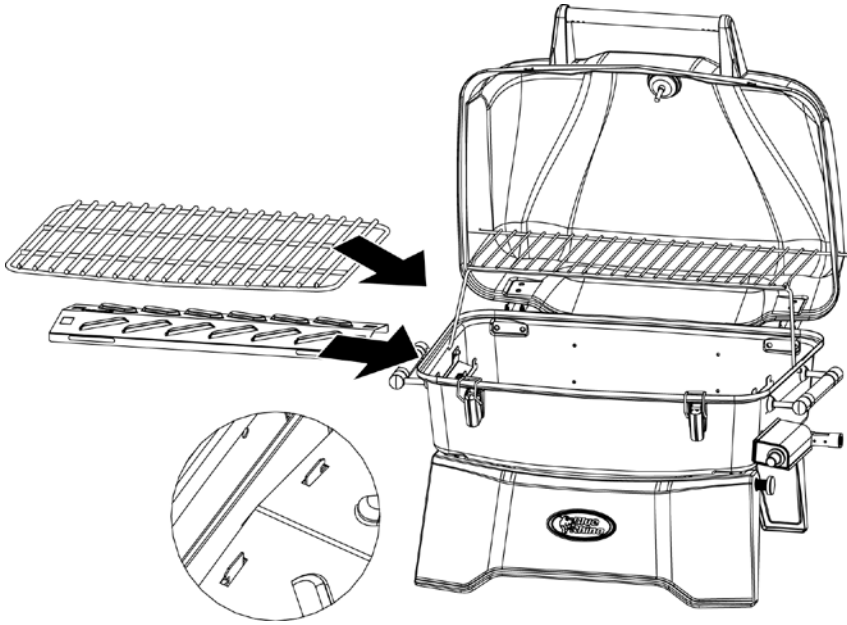
Inserte la rejilla calentadora



Instrucciones de ensamblado (continuación)

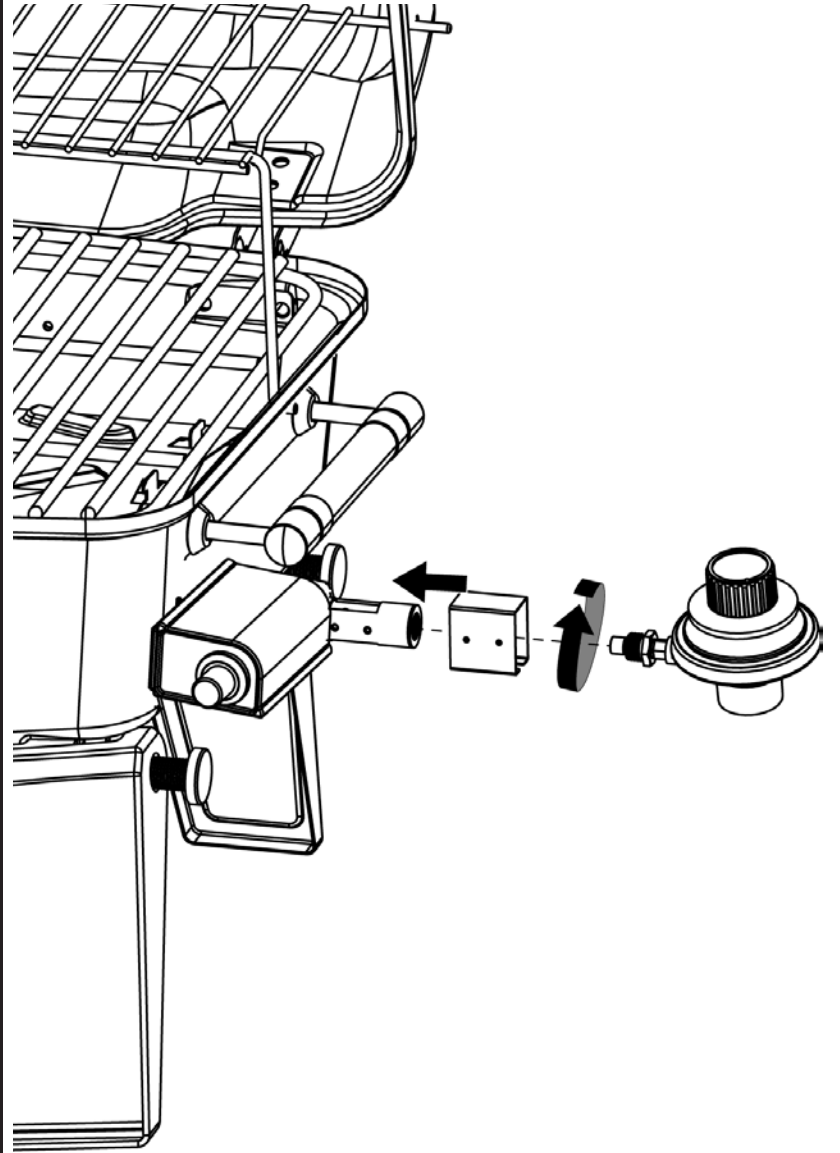
9

Inserte el plato calentador y la rejilla para cocción



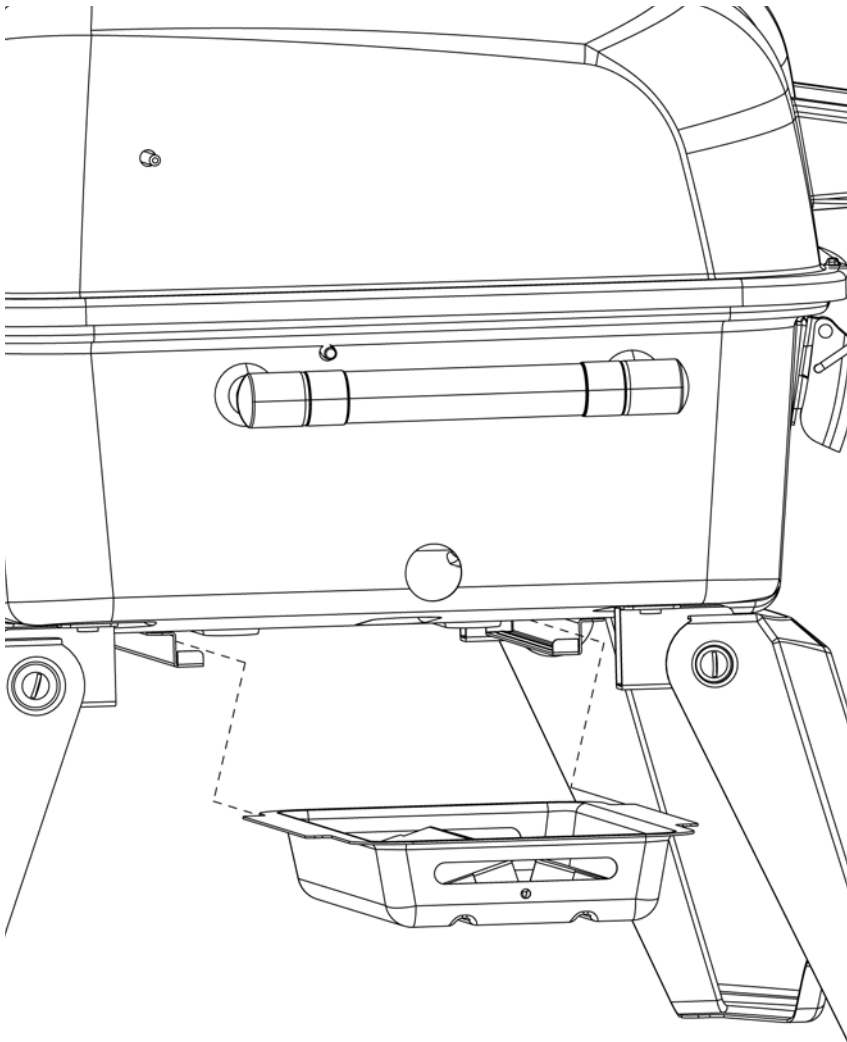
10

Instale la protección contra viento y el regulador/ válvula de control



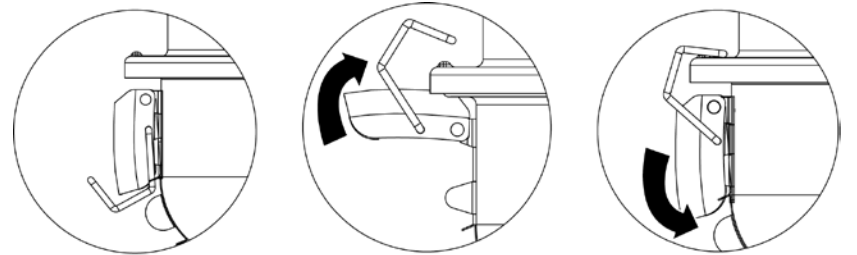
11

Inserte el plato para la grasa

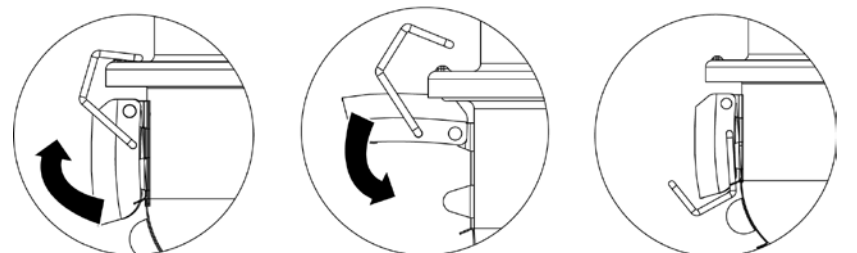


12

Bloquee la tapa

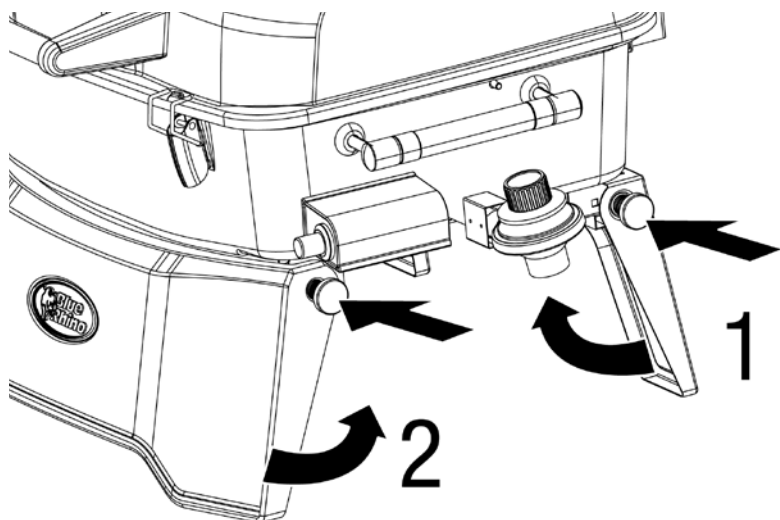


Desbloquee la tapa

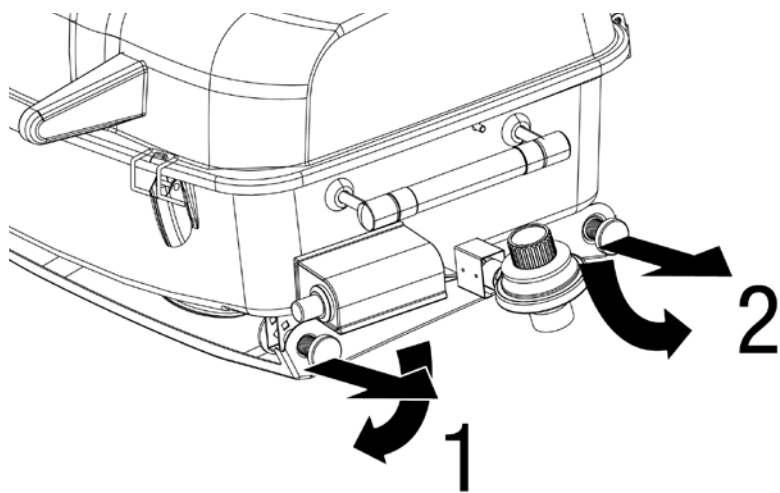


13

Pliegue las patas



Despliegue las patas



Instrucciones de funcionamiento

La parrilla está diseñada para usarse con un tanque de gas propano de 0,45 kg (cilindro DOT 39) de 18,75 cm de altura, desechable, de 464,93 ó 399,73 g.

NO INTENTE LLENAR TANQUES DE PROPANO DE 0,45 kg. (de 464,93 ó 399,73)

Conexión del tanque de gas

1. Asegúrese de que el regulador o la válvula de control esté en la posición "LOCK OFF" (apagado con seguro). (Figura 1a)
2. Lubrique la rosca de la válvula del regulador con vaselina de petróleo, inserte el tanque de gas en la válvula del regulador y apriétela firmemente. (Figura 1b)
3. Verifique que no haya fugas

Figura 1a

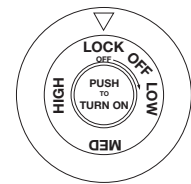


Figura 1b



Búsqueda de fugas

Conexión del quemador

1. Asegúrese de que la válvula de control esté ajustada firmemente al quemador. (Figura 2)

Si otra persona le armó la unidad, revise visualmente las conexiones entre el quemador y la válvula de control.

⚠ ADVERTENCIA: Si no inspecciona esta conexión o no sigue estas instrucciones podría provocar un incendio o una explosión, los que pueden causar la muerte, lesiones personales graves o daños a la propiedad.

2. Si la tubería del quemador no queda al res con la válvula de control, llame al 1-800-762-1142 para solicitar asistencia.

Figura 2

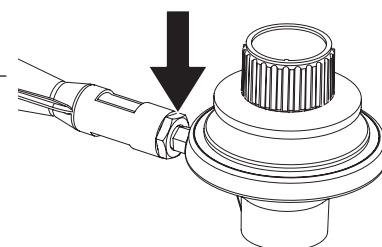
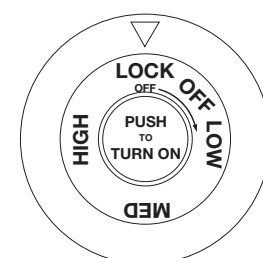


Figura 3



Conexión entre el regulador y el tanque de gas de propano de 0,45 kg.

1. Prepare entre 57 y 85 g de solución de fuga mezclando una parte de detergente líquido para platos con tres partes de agua.
2. Asegúrese de que la perilla de control esté en la posición "OFF" (apagado). (Figura 3)
3. Vierta varias gotas de la solución con una cuchara o use una botella de exprimir sobre la conexión del tanque de gas propano y el regulador. (Figura 4)
4. Revise si se forman burbujas en el área de la conexión.
 - a. Si NO se forman burbujas, las conexiones son seguras.
 - b. Si aparecen burbujas, significa que hay una fuga.
 1. Suelte y vuelva a apretar esta conexión, asegurándose de que la conexión sea segura.
 2. Vuelva a probar con la solución.
 - a. Si continúa viendo burbujas después de varios intentos, desconecte la fuente de gas propano y solicite ayuda en el número 1-800-762-1142.

Figura 4

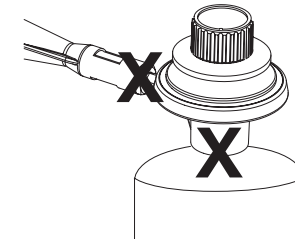


Figura 5

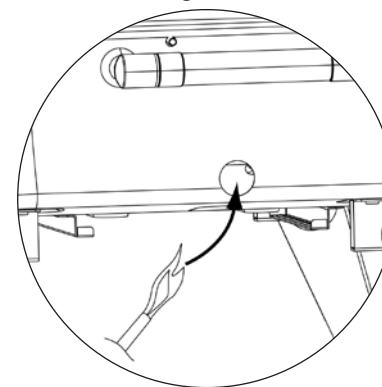
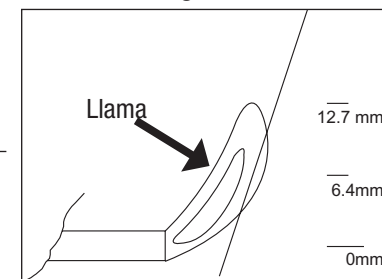


Figura 6



Primer uso

1. Asegúrese de que se hayan quitado todas las etiquetas, láminas protectoras y de embalaje de la parrilla.
2. Antes de cocinar por primera vez en esta parrilla, manténgala encendida durante al menos 15 minutos en la posición "HIGH" (alto), con la tapa cerrada para quitar los aceites de fabricación. El calor generado limpiará las piezas internas y disipará los olores.

Encendido

- ⚠ **Precaución: Mantenga el área para el electrodoméstico de cocina a gas para exteriores limpia y libre de materiales combustibles, gasolina y otros vapores y líquidos inflamables.**
- ⚠ **Precaución: no obstruya el flujo del aire de combustión ni del aire de ventilación.**



Instrucciones de funcionamiento (continuación)

▲ Precaución: corrobore que no haya nidos de insectos ni insectos en los quemadores o en los tubos Venturi. En caso de haber, límpielos. Un tubo obstruido puede ocasionar un incendio debajo de la parrilla.

1. Asegúrese de que se hayan quitado todas las etiquetas, láminas protectoras y de embalaje de la parrilla.
2. Abra la tapa. **Intentar encender el quemador con la tapa cerrada puede causar una explosión.**
3. Asegúrese de que no haya obstrucciones en el flujo de aire a la unidad de gas. Arañas e insectos pueden anidar y obstruir el quemador/tubo venturi en el orificio.

▲ Un tubo de quemador obstruido puede ocasionar un incendio debajo del aparato.

4. La perilla de control debe estar en la posición "LOCK OFF" (apagado con seguro). (Figura 3)
5. Gire la perilla de control a la posición "HIGH".
6. Presione el botón del encendedor repetidamente para encender el quemador.
7. Si el quemador no se enciende después de 5 segundos, gire la perilla de control del quemador a la posición OFF, espere 5 minutos y repita el procedimiento de encendido.
8. Si el encendedor no enciende el quemador, use un fósforo encendido con la varilla para encendido proporcionada para encender en forma manual el quemador. Acceda al quemador a través del orificio de la fuente inferior, como se indica. (Figura 5)
9. Gire la parrilla a la posición "LOW" coloque el fósforo encendido cerca del quemador.

Importante: Siempre use la varilla para encendido incluida cuando encienda los quemadores con un fósforo.

10. Luego del encendido, observe la llama de los quemadores. Asegúrese de que todos los puertos de los quemadores estén encendidos y que la altura de la llama coincida con la que se muestra en la ilustración. (Figura 6)

▲ Precaución: si la llama se apaga durante el funcionamiento, apague el gas inmediatamente y abra la tapa para que el gas se disperse y espere unos 5 minutos antes de volver a encender.

Apagado:

1. Gire la perilla de control a la posición "LOCK OFF".
2. Retire el tanque de gas propano líquido y almacene el tanque adecuadamente.

Cocinar

1. Abra la tapa y encienda el quemador siguiendo las instrucciones de encendido.
2. Cierre la tapa y caliente previamente la parrilla en la posición "HIGH".
3. Con la ayuda de guantes protectores y tenazas largas, coloque la comida en las rejillas para cocción sobre los quemadores encendidos.
4. Ajuste los controles a la temperatura deseada.
5. Con la tapa abierta o cerrada, cocine hasta que la comida alcance la temperatura interna deseada.
6. Apague la parrilla girando la perilla de control a la posición "LOCK OFF". Retire el tanque de gas propano líquido y almacene el tanque adecuadamente.

Consejos para obtener una mejor cocción y ampliar la vida útil de la parrilla

1. Para obtener consejos para la seguridad de las comidas, visite: http://www.fsis.usda.gov/Fact_Sheets/Barbecue_Food_Safety/
2. Use la rejilla para cocción superior (rejilla calentadora) para mantener calientes los alimentos cocinados, para tostar panes o para cocinar comidas delicadas en envoltorios de papel de aluminio.
3. Para evitar que los alimentos se peguen a las rejillas, rocíe o aplique aceite para cocinar antes de encender la parrilla.
4. Para reducir las llamaradas, mantenga la parrilla limpia, use cortes de carne magra (o quite la grasa) y evite cocinar a temperaturas muy altas.
5. Envuelva las comidas blandas, como el pescado y los vegetales, en papel de aluminio y colóquelas en los niveles de cocción superiores (rejilla de mantención de temperatura).
6. Para no perder los jugos naturales, use tenazas largas o espátulas en vez de tenedores y voltee las comidas sólo una vez durante la cocción.
7. Acentúe el sabor de los alimentos usando astillas de madera en ahumadores o en envoltorios de papel de aluminio. Siga las instrucciones del fabricante de las astillas de madera.
8. Limpie las parrillas de cocción y las rejillas después de cada uso, con un cepillo para parrillas de buena calidad diseñado para el material de la parrilla. Use guantes protectores y quite las grasas acumuladas mientras las parrillas todavía estén calientes.
9. Deje que la parrilla se enfríe después de usarla. Luego, proteja las parrillas de cocción limpias con una delgada capa de aceite para cocinar, vacíe la bandeja para grasa (si cuenta con ella), limpie la superficie exterior con un limpiador de cocina apropiado y almacene en un lugar seco y fresco.
10. Visite sitios Web como www.bluerhino.com, vea programas de televisión acerca de barbacoas o compre libros de cocina de barbacoas para aprender más consejos interesantes.

Limpieza y cuidado

▲ Precaución:

1. La limpieza y el mantenimiento deben realizarse cuando la parrilla está fría y con el combustible desconectado.
2. **NO limpie ninguna pieza de la parrilla en un horno con autolimpieza. El calor extremo daña el acabado.**

Avisos

1. **Los limpiadores abrasivos dañan este producto.**
2. **Nunca use limpiador de hornos para limpiar ninguna pieza de esta parrilla.**
3. **Nunca use ninguna pieza de esta parrilla en un horno de limpieza automática. El calor extremo daña el acabado.**
4. **Esta parrilla se debe limpiar e inspeccionar cuidadosamente de forma regular.**

Limpieza de superficies

1. Limpie las superficies con detergente para platos suave o bicarbonato de sodio.
2. Para las superficies difíciles, use un desengrasante cítrico y una escobilla de nailon.
3. Limpie y enjuague con agua.

Limpieza del quemador

1. Corte el gas en la perilla de control y retire el tanque de gas propano líquido.
2. Retire el regulador y la protección contra viento.
3. Quite las rejillas de cocción y el plato calentador.
4. Desconecte el cable del encendedor.
5. Retire el quemador.
6. Limpie el tubo de entrada del quemador con una botella pequeña, cepillo o aire comprimido.
7. Retire todos los residuos de alimento y suciedad en la superficie del quemador.
8. Limpie los orificios obstruidos con un alambre rígido (como un sujetapapeles abierto)
9. Revise si hay daños en el quemador (grietas o agujeros). Si el quemador está dañado, reemplácelo por uno nuevo.
10. Vuelva a instalar el quemador. Vuelva a conectar el encendedor, la protección contra viento y el regulador.
11. Vuelva a colocar el plato calentador y la rejilla para cocción
12. Realice una prueba de fuga.

Registro del producto

Para obtener un servicio de garantía más rápido, registre su producto ahora en www.bluerhino.com o llame al 1-800-762-1142.

Garantía limitada

Blue Rhino Global Sourcing, Inc (“el proveedor”) garantiza al comprador minorista original de este producto, y a ninguna otra persona, que si este producto se ensambla y se usa de acuerdo con las instrucciones impresas incluidas, ninguna de las piezas del producto presentará defectos de fabricación en el material ni en la mano de obra durante un (1) año desde la fecha de compra. El proveedor podría exigir un comprobante razonable de la fecha de su compra. Por lo anterior, deberá conservar su recibo o factura de la venta. Esta Garantía limitada se limitará al reemplazo o reparación de piezas que presenten fallas bajo un uso y servicio normales y que el Proveedor determine en su propia opinión que presentan fallas después de examinarlas. Antes de devolver cualquier pieza, debe ponerse en contacto con el Departamento de Servicio al Cliente del Proveedor, mediante la información de contacto que se presenta más abajo. Si el Proveedor después de examinar la pieza devuelta confirma que existe una falla que está cubierta por esta Garantía Limitada, y si el Proveedor aprueba el reclamo, esa pieza se reemplazará sin ningún costo para el cliente. Los cargos de transporte de las piezas defectuosas de devolución deben ser pagados por el cliente. El proveedor devolverá las piezas de reemplazo al comprador minorista original con flete o franqueo prepago.

Esta garantía limitada no cubre fallas o dificultades en la operación debido a accidentes, mal uso, abuso, alteraciones, aplicación inadecuada o instalación o mantenimiento inadecuados o reparados por usted o por un tercero, o por no efectuar mantenimiento normal o rutinario del producto como se señala en este manual del propietario. Además, la Garantía Limitada no cubre daños al acabado, tales como rayas, hendiduras, oxidación, decoloración u otros daños producidos por el clima después de la compra.

Esta Garantía Limitada reemplaza a todas las demás garantías expresas. El proveedor rechaza todas las demás garantías por productos que se adquieran de vendedores distintos a las tiendas minoristas o distribuidores autorizados, incluida la garantía de comerciabilidad o la garantía de idoneidad para un fin en particular. EL PROVEEDOR TAMBIÉN RECHAZA TODAS LAS DEMÁS GARANTÍAS IMPLÍCITAS, LO QUE INCLUYE SIN LIMITACIÓN A TODAS LAS GARANTÍAS IMPLÍCITAS DE COMERCIABILIDAD E IDONEIDAD PARA UN FIN EN PARTICULAR. EL PROVEEDOR NO SERÁ RESPONSABLE LEGAL ANTE EL COMPRADOR NI ANTE NINGÚN TERCERO POR NINGÚN DAÑO ESPECIAL, PUNITIVO, INDIRECTO O RESULTANTE. El proveedor también rechaza cualquier garantía explícita o implícita por las fallas en la fabricación causada por terceros y tampoco asume responsabilidad alguna por ellas.

Esta Garantía Limitada le otorga derechos legales específicos al comprador, el que podría tener también otros derechos dependiendo de dónde viva. Algunas jurisdicciones no permiten la exclusión o limitación de daños especiales, incidentales o resultantes, ni permiten limitaciones en cuanto a la duración de una garantía, de modo que es posible que las limitaciones y exclusiones anteriores no se apliquen a todas las personas.

El proveedor no autoriza a ninguna persona o compañía a asumir en su nombre ninguna otra obligación o responsabilidad en relación con la venta, instalación, uso, retiro, devolución o reemplazo de sus equipos y ninguna de esas representaciones obliga al Proveedor.

Blue Rhino Global Sourcing, Inc
Winston-Salem, North Carolina EE.UU.
(800) 762-1142

Solución de problemas

Problema	Causa posible	Prevención/solución
El quemador no se enciende al utilizar un fósforo	No hay flujo de gas.	Revise si el tanque de gas propano líquido está vacío.
	Obstrucción en el flujo de gas.	Limpie el quemador.
	Telas de araña o nidos de insectos en el tubo del quemador.	Limpie el tubo de los quemadores.
	Orificios de quemadores obstruidos o bloqueados.	Limpie los orificios de los quemadores.
Patrón de llama irregular; la llama no cubre la longitud completa del quemador.	Los orificios de los quemadores están obstruidos o bloqueados.	Limpie las bocas del quemador.
La llama es amarilla o naranja	Un nuevo quemador puede tener aceites residuales de la fabricación.	Caliente la parrilla durante 15 minutos con la tapa cerrada.
	Telas de araña o nidos de insectos en el tubo del quemador.	Limpie el tubo del quemador.
	Residuo de alimento, grasa o sal en el quemador.	Limpie el quemador.
La llama se apaga	Viento fuerte o en ráfagas.	Dé vuelta el frente de la parrilla de modo que quede hacia el viento o aumente la altura de la llama.
	Poco gas propano líquido.	Reemplace el tanque de gas propano líquido.
Llamarada	Acumulación de grasa.	Limpie la parrilla.
	Exceso de grasa en la carne.	Quite la grasa de la carne antes de asarla a la parrilla.
	Temperatura de cocción excesiva.	Ajuste (baje) la temperatura según corresponda.
Incendio persistente provocado por grasa.	Grasa atrapada por acumulación de alimento alrededor del sistema de quemadores.	Gire las perillas a la posición “LOCK OFF” (apagado con seguro). Deje la tapa en la posición cerrada y deje que el fuego se extinga. Cuando se enfríe la parrilla, extraiga y limpie todas las piezas.
Retroceso de llama (fuego en los tubos del quemador)	Los quemadores o los tubos de los quemadores están bloqueados.	Limpie los quemadores o el tubo de los quemadores.
El interior de la tapa o la rejilla para cocción se está descascarando	La grasa cocinada acumulada se convirtió en carbón y se está desprendiendo.	Limpie a fondo.
Para obtener más ayuda, visítenos en línea en www.bluerhino.com o llame al 1-800-762-1142 para solicitar asistencia inmediata.		



Parrilla a gas propano para exteriores modelo No. GBT9080L